



THANK YOU

Congratulations on your recent purchase! We at Diamond know that you have a choice when it comes to your archery equipment, and we want to thank you for choosing us as your hunting partner. Your feedback is important to us, as it is our desire to provide you with the absolute finest products and customer service in the industry. Please take the time to go online and register your new Diamond bow. It is equally important to read through this owner's manual as there are valuable tips to help keep your Diamond trouble free for many seasons.

We encourage you to contact and utilize your local dealer as they can assist you with purchases, services and accessories. To locate the dealer nearest you, visit Diamondarchery.com and click on the "Dealer Locator" button. Frequently asked questions and additional contact information can also be found at Diamondarchery.com.

BEFORE USING YOUR NEW DIAMOND BOW, READ AND UNDERSTAND THE FOLLOWING MATERIAL OUTLINED IN THIS MANUAL. FAILURE TO FOLLOW ANY OF THESE WARNINGS AND INSTRUCTIONS CAN DAMAGE THE BOW AND MAY CAUSE SERIOUS INJURY TO YOURSELF AND/OR OTHERS.

DISCLAIMER OF LIABILITY: By accepting a Diamond product, the buyer agrees to hold harmless Diamond and all associated parties from liability for any damage to persons or property, which may result, for any reason, from the use of this product.

QUALITY

Every Diamond bow has undergone a comprehensive quality control process and is built from the highest quality components available. Most have been individually shot, tested and measured to ensure compliance with our strict performance standards.

CUSTOMER SERVICE

Diamond's Customer Service will prove, not only, that our products are innovative and industry leading, but that our service is one of a kind. Do not hesitate to call us at 877-901-1934 or email at info@Diamondarchery.com if you have any questions on our products or warranty process.

LIFETIME WARRANTY

SIGN UP FOR THE LIFETIME WARRANTY AT REGISTERYOURBOW.COM

LIFETIME WARRANTY (CONT.)

All Diamond bows come with a non-transferable lifetime warranty to the registered original owner. This warranty protects against any failures of the product due to defects in material or workmanship and does not include any damage due to abuse, misuse or modification to the bow's design. The following exclusions apply.

EXCLUSIONS

Cables and strings, bearings, paint, hydrographic film and/or other transferred finishes, accessories to include: sights, arrow rests, string silencers, quivers, or any other components included as part of an accessory package.

Damage caused by abuse, mishandling, dry-firing, alteration or modification to original product. Other excluded damages are those resulting from either loose mod screws or shooting arrows less than five grains per pound of draw weight. Damage caused by altered or damaged arrows and/or string dampening material, including original and after-market parts, is also excluded.

For the warranty to be enforceable the original purchaser must complete and submit the online registration form within 30 days of purchase.

WARRANTY SERVICE

Since you are our greatest Asset, we want to give you the highest quality and most efficient service possible. There are two ways you can request warranty repairs for your Diamond products.

Option 1: Contact our Customer Service Team at 877-901-1934 to work directly with a representative that will help you determine the best way to repair your product.

Option 2: Contact your nearest authorized dealer for your warranty repair. They will facilitate the inspection and diagnosis of any problem.

In the event that a bow must be returned for factory service, a Return Merchandise Authorization (RMA) number must first be obtained for your return product. Bows returned to the factory without an RMA number will not be accepted. Diamond will not be held responsible for any lost product without proper documentation of an RMA number.

The Bow owner is responsible for the return prepaid freight to Diamond. No COD shipment will be accepted. Diamond will perform the warranty service required and return the product to the dealer prepaid.

- All methods of shipping by UPS or FED-EX only. Sender should insure all shipments.
- If your Bow cannot be repaired, we reserve the right to replace your bow with a newer model of greater or current market value.
- Diamond reserves the right to substitute any parts required for warranty coverage at its sole discretion.

TUNING AND PROPER FIT

It is very important that your bow is adjusted to fit you properly. Assistance in achieving proper fit should be provided by your Authorized Diamond Dealer.

The draw length of all current Diamond bows can be adjusted without draw length specific modules. The Rotating Mod System makes this feature possible. By simply rotating the module clockwise or counterclockwise, your draw length can be adjusted in 1/2 inch increments.

CHANGING DRAW LENGTH

Reference Figure 1

1. Use a 3/32 allen wrench to remove the module screws that attach the modules to the cams.
2. Notice the indexing mark on the cam, and the numbers on the module. Repositioning the module so that the desired draw length lines up with the index mark.
3. Replace both module screws on each cam and retighten. We recommend applying blue Loctite 242 to the threads before replacing them at your desired setting. This will prevent the screws from loosening during normal use of the bow. It is also recommended that one module screw is located as close to the DI engraving on the module as possible.
4. After repositioning the module, you will need to reposition the draw stop post. To do this, remove the draw stop post screw and reposition the post to the appropriate corresponding position. See your Authorized Diamond Dealer for assistance.

5. The Diamond Deploy SB features Binary Cam Technology, so any adjustments should be made to both top and bottom cams.

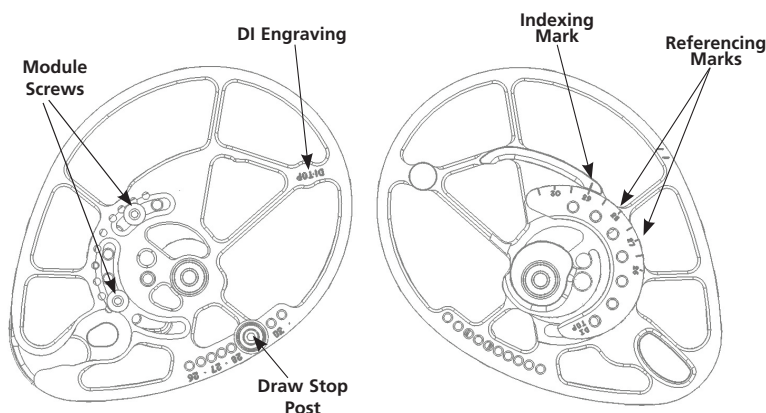


Figure 1: Conventional Binary Draw Length Adjustment

SETTING THE DRAW WEIGHT

Consult your local Authorized Diamond Dealer for information regarding weight adjustment for your bow model. All bows perform best at peak weight.

Draw weight can be adjusted by using a hex wrench to either tighten or loosen the limb bolt. The specific method for adjusting draw length varies by model as described below.

WARNING: DO NOT TURN THE LIMB BOLTS OUT MORE THAN THE RECOMMENDED AMOUNT. Doing so could cause the limbs to break out of their pockets and result in bodily injury.

Draw weight on the Deploy SB can be adjusted 10 pounds down from the bow's peak draw weight. For example, if the bow is shipped as a 60 pound model, the draw weight can be adjusted down to 50 pounds. The procedure is as follows (see figure 2):

Using a 3/16 inch hex wrench tighten or loosen the limb bolt to increase or decrease draw weight. One full turn equals approximately 3 pounds. You may use the limb bolt inspection hole for a reference when backing out the limb bolt. DO NOT back out the limb bolt beyond the limb bolt inspection hole. The top and bottom limb bolts should be tightened and loosened equally.

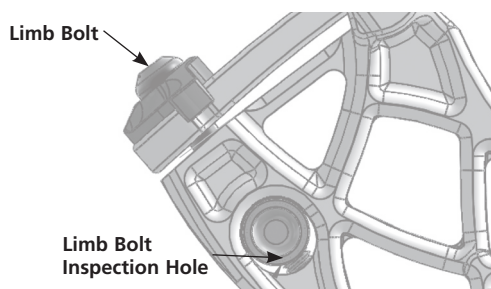


Figure 2: Draw Weight Adjustment

ADJUSTING THE STRING STOP

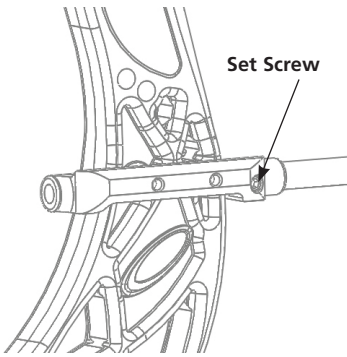


Figure 3: Adjusting the string stop

To increase the effectiveness of your string stop dampener you want it to maintain contact with the string at rest. If you have backed down the draw weight to set your draw to your comfort level you may need to adjust your string stop as your brace height may have increased. To do

this, loosen the side set screw on the riser as shown (**Figure 3**) with a 1/8 hex wrench. Pull out the string stop until it makes contact again with the string. Verify that the string stop is oriented correctly and retighten the side set screw.

SETTING CENTER SHOT

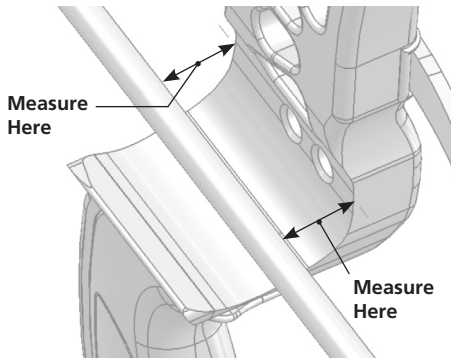


Figure 4: Determining Center Shot

Center shot can be set by measuring from the back of the riser to the arrow and then from the front of the riser to the arrow. Once this is equal, you are at the approximate center shot of

your bow (**see Figure**

4). This is a good starting point when tuning your Diamond bow. Keep in mind, not all bows tune at exact center shot due to the variances in arrow spine, hand position, and your specific bow poundage. Adjust your arrow rest until the two measurements are equal.

TIMING THE CAMS

There are small indentations or “timing marks” on the module-side of the cam near its perimeter. When viewing the bow directly from the module side of the cam, the cable should be approximately centered in between the timing marks as shown in **Figure 5**. Adjusting the timing requires that the bow be put in a press, and as such, your Authorized Bowtech Dealer should perform all timing adjustments.

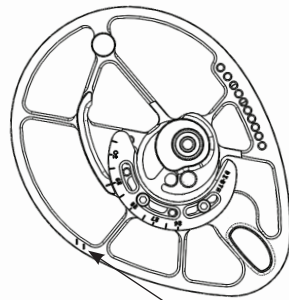


Figure 5: Cam Timing

Cable Centered
Between Marks

BOW MAINTENANCE

Your Diamond bow was made with the highest quality components to last for a lifetime of use in the field with proper maintenance. It is important that you **NEVER** draw and release a bow without an arrow on the string. This could not only hurt you, but can damage your bow. If the bow is dry fired at any time, take it to your local dealer for a complete inspection. **NEVER** leave your Diamond bow in an area of extreme temperatures. This could cause your string and cables to stretch which effects timing.

Before shooting your bow, **ALWAYS** inspect the string and cables and check the limbs for any visible damage. If damage is found, take the bow to your local Diamond dealer for inspection or repair.

Your Diamond bow comes equipped with sealed bearings in both cams. There is no need to lubricate cams.

GENERAL INFORMATION

Your new Diamond bow is a highly tuned, precise shooting machine. It requires special care and handling to achieve and maintain peak performance. The string, cables and limbs are under extreme tension, which creates an incredible source of energy that must not be taken for granted. Please respect this power and use it properly.

Diamond bows are standardized to fit most manufacturers' accessories and will perform best when shot with a release.

ADULT SUPERVISION OF ALL CHILDREN UNDER THE AGE OF 18 IS REQUIRED Diamond has designed your bow to be a safe and fun product. However, as with any shooting style product, safety rules must be observed. It is **HIGHLY** recommended that these rules be read before using any bow.

Bows and arrows are **NOT** toys. For maximum safety and enjoyment, always exercise caution and common sense when shooting any bow.

WARNING:

NEVER DRY FIRE THE BOW

NEVER draw a bow without an arrow nocked. Doing so could cause personal injury and/or damage the bow. When drawing a bow for inspection or demonstration, never release the string at full draw to let down. Hold onto the string and do not let it slip out of your hands. Without the resistance of a properly weighted arrow to absorb the energy, you may damage the bow and cause personal injury to yourself and/or others.

ALWAYS wear safety glasses when operating or adjusting your bow.

ALWAYS use an appropriate backstop for maximum safety. An appropriate backstop must be constructed of a durable material and must extend beyond the perimeter of the target. The recommended backstop size is determined by the accuracy and ability of the shooter.

We encourage you to contact and utilize your local dealer as they can assist you with setting up your bow, tuning, purchases, services and accessories. To locate the dealer nearest you, visit Diamondarchery.com and click on the "Dealer Locator" button. Frequently asked questions and additional contact information can also be found at Diamondarchery.com.

STRINGS & CABLES

Your Diamond bowstring is manufactured to provide long string life and absolute consistency, shot after shot. This results in greater accuracy and less time spent re-tuning your equipment.

It is recommended that you cycle the bow 10-20 times to settle the string as a result of relaxation during packaging and shipping.

Wax the string often. We recommend BCYML 6 synthetic string wax or an equivalent product. To wax the string, apply wax liberally to entire length of string. Rub briskly with fingers until the string appears slick. Remove all excess wax with a clean cloth. We recommend that you wax every other time you shoot your bow to lengthen the life of your string and cable sets.

With a low level of shooter accuracy, the backstop perimeter requirement must be increased appropriately.

NEVER aim or draw any bow in the direction of a person. Aim and draw **ONLY** in the direction of an appropriate target. **ALWAYS** have a full view of the path to and beyond the target when shooting.

ALWAYS check all arrow components prior to shooting, including nock, insert and tip. Loose components can cause unbalanced arrow flight and partial dry firing of the bow. If an arrow has been damaged, or if you believe it has been damaged, do not shoot it again, as it could break on release, and sharp arrow pieces could strike and injure you or someone nearby.

NEVER retrieve arrows or allow anyone else to do so until all arrows have been shot.

NEVER draw the bow without properly adjusted limb bolts (see "Adjusting Draw Weight" section for more information). Make sure the string and cables are properly attached to the correct post and in the correct tracks in order to avoid possible injury.

DO NOT attach anything to the cables or string that could create excessive wear or slice the string material. This will void the warranty.

DO NOT cross cables in any configuration other than the configuration set by the factory. This will have an adverse effect on the performance and shootability of your bow. Further, it may cause extreme wear to the string, cable, and cable-slide/roller guard.

Any alteration from the factory specifications or the adjustments outlined herein will void the factory warranty. ALL maintenance must be performed at an Authorized Diamond Dealer.

90554 Highway 99 North • Eugene, OR 97402
Diamondarchery.com

Every effort has been made to ensure the accuracy of information and typographical content within our owner's manual. Diamond reserves the right to modify and/or discontinue products shown without notice and at its discretion. © 2015 Diamond. All rights reserved.