



RED HEAD[®]

OWNER'S MANUAL

THANK YOU

Congratulations on your recent purchase! We at RedHead by BOWTECH know that you have a choice when it comes to your archery equipment, and we want to thank you for choosing us as your hunting partner. Your feedback is important to us, as it is our desire to provide you with the absolute finest products and customer service in the industry. Please take the time to go online and register your new RedHead by BOWTECH bow. It is equally important to read through this owner's manual as there are valuable tips to help keep your RedHead by BOWTECH trouble free for many seasons.

We encourage you to contact and utilize your local dealer as they can assist you with purchases, services and accessories. To locate the dealer nearest you, visit BassPro.com and click on the "Stores" button. Frequently asked questions and additional contact information can also be found at BassPro.com.

BEFORE USING YOUR NEW RedHead BY BOWTECH BOW, READ AND UNDERSTAND THE FOLLOWING MATERIAL OUTLINED IN THIS MANUAL. FAILURE TO FOLLOW ANY OF THESE WARNINGS AND INSTRUCTIONS CAN DAMAGE THE BOW AND MAY CAUSE SERIOUS INJURY TO YOURSELF AND/OR OTHERS.

DISCLAIMER OF LIABILITY: By accepting a RedHead by BOWTECH product, the buyer agrees to hold harmless RedHead by BOWTECH and all associated parties from liability for any damage to persons or property, which may result, for any reason, from the use of this product.

QUALITY

Every RedHead by BOWTECH bow has undergone a comprehensive quality control process and is built from the highest quality components available. Most have been individually shot, tested and measured to ensure compliance with our strict performance standards.

LIFETIME WARRANTY

All RedHead by BOWTECH bows come with a non-transferable lifetime warranty to the registered original owner. This warranty protects against any failures of the product due to defects in material or workmanship and does not include any damage due to abuse, misuse or modification to the bow's design. The following exclusions apply.

Exclusions

Strings and cables, bearings, paint and/or hydrographic film transferred finishes, accessories to include: sights, arrow rests, string silencers, quivers, or any other components included as part of an accessory package.

Damage caused by abuse, mishandling, dry-firing, alteration or modification to original

product. Other excluded damages are those resulting from either loose module screws or shooting arrows less than five grains per pound of draw weight.

For the warranty to be enforceable the original purchaser must complete and submit the online registration form within 30 days of purchase.

Authorized Dealer

The RedHead by BOWTECH Warranty covers product purchased from Bass Pro stores. RedHead by BOWTECH products purchased through the Internet will not be warranted if not purchased through an Authorized Dealer. Contact Bass Pro to confirm that your purchase is through a Bass Pro store.

LIFETIME WARRANTY

Warranty Service

Our goal with all warranty returns is to have the bow shipped out the door and on its way back to your dealer within 3 business days of receiving it at our facilities in Eugene, Oregon. You are our greatest asset, and we will give you the highest quality and most efficient service possible.

All products requiring warranty service must be returned to a Bass Pro Store for inspection and diagnosis of any problem. Your Bass Pro Store can determine whether factory service is required, or if the service needed can be performed at the dealer's facility. In the event that a bow must be returned for factory service, a Return Authorization (RA) number must first be obtained by your dealer. Bows

returned to the factory without an RA number will not be accepted.

The bow owner is responsible for the return prepaid freight to BOWTECH. No COD shipments will be accepted. BOWTECH will perform the warranty service required and return the product to the dealer prepaid.

- ◆ All methods of shipping by UPS or FED-EX only. Sender should insure all shipments.
- ◆ If your bow cannot be repaired, we reserve the right to replace your bow with a newer model of equal or greater value.
- ◆ RedHead by BOWTECH reserves the right to substitute any parts required for warranty coverage at its sole discretion and for any reason.

ADJUSTING DRAW LENGTH

It is very important that your RedHead by BOWTECH bow is adjusted to fit you properly. Assistance in achieving a proper fit should be provided by your Bass Pro store.

RedHead by BOWTECH bows are preset to factory specifications with adult models preset to 29 inches draw length. You may need to adjust your bow to match your draw length. Any other alterations to the factory setup will likely inhibit performance.

The draw length of all current RedHead by BOWTECH bows can be adjusted without draw length specific modules. The Rotating Mod System makes this feature possible. By simply rotating the module clockwise or counterclockwise, your draw length can be adjusted, typically in 1/2 inch increments. Refer to **Figure 1** and **Chart 1**.

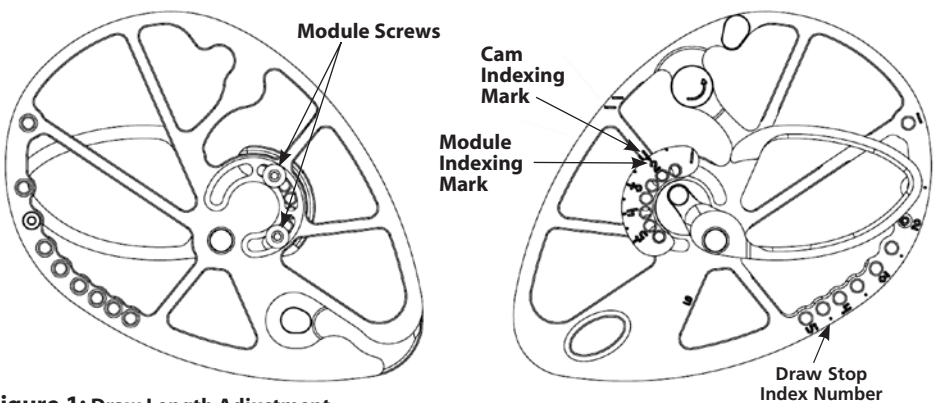


Figure 1: Draw Length Adjustment

ADJUSTING THE DRAW LENGTH CONT.

1. RedHead by BOWTECH recommends that you take your bow to your Bass Pro Store for adjustment of your bow's draw length.

2. Use a 3/32 inch hex wrench to remove the module screws that attach the modules to the cams.

3. Notice the numbered indexing mark on the module and the indexing mark on the cam. All bows are factory preset to a 29 inch

draw length, with the indexing marks aligned for the this draw length setting. The lowest numbered mark corresponds to the longest draw length setting.

4. To lengthen the draw length, rotate the module so that the indexing mark on the cam is aligned with a lower numbered indexing mark on the module. For example, if a Blackout SS was shipped with the indexing mark in the #3 position at 28.5 inches of draw length, you would place it in the #2.5 position for a 29 inch draw length.

Chart 1: Cam Module & Post Settings

Module Position	Blackout SS		Blackout	
	Draw Length	Module/Post Setting	Draw Length	Module/Post Setting
1	30.5	1	30.5	1
1.5	30	1.5	30	1.5
2	29.5	2	29.5	2
2.5	29	2.5	29	2.5
3	28.5	3	28.5	3
3.5	28	3.5	28	3.5
4	27.5	4	27.5	4
4.5	27	4.5	27	4.5
5	26.5	5	26.5	5
5.5	N/A	N/A	N/A	N/A
6	N/A	N/A	N/A	N/A

Module Position	Toxik XT		Kronik XT	
	Draw Length	Module/Post Setting	Draw Length	Module/Post Setting
1	30.5	1	31	8.8
1.5	30	1.5		
2	29.5	2	30	8
2.5	29	2.5		
3	28.5	3	29	6.9
3.5	28	3.5		
4	27.5	4	28	6
4.5	27	4.5		
5	26.5	5	27	4.9
5.5	N/A	N/A		
6	N/A	N/A	26	3.5

ADJUSTING THE DRAW LENGTH CONT.

5. To shorten the draw length, rotate the module so that the indexing mark on the cam is aligned with a higher numbered indexing mark on the module. For example, if a Blackout SS was shipped with the indexing mark in the #2 position at 29.5 inches of draw length, you would place it in the #2.5 position for a 29 inch draw length.

6. Replace the module screws on each cam and retighten. We recommend applying blue Loctite 242 to the threads before replacing them at your desired setting. This will prevent the screws from loosening during normal use of the bow.

7. After repositioning the module, you will need to reposition the draw stop posts. To do this, use a hex wrench to remove the post from its current position.

8. Replace the post in the position that matches the numbered slot that you placed the module indexing post in (reference Chart 1).

9. Please note that no bow press is typically required to change the draw length of your RedHead by BOWTECH bow. However, placing the module in some positions may require the use of a bow press.

CAM TIMING

There are small indentations or “timing marks” on the module-side of the cam near its perimeter. When viewing the bow directly from the module side of the cam, the cable should be approximately centered in between the timing marks as shown in **Figure 2**. Adjusting the timing requires that the bow be put in a press, and as such, your Bass Pro Store should perform all timing adjustments.

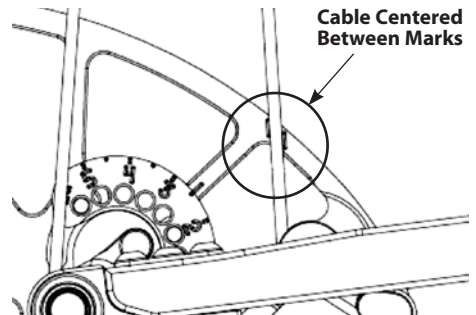


Figure 2: Cam Timing

SETTING THE DRAW WEIGHT

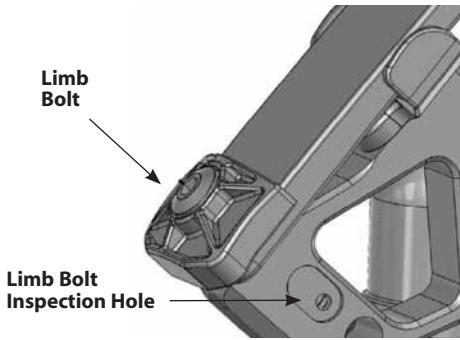


Figure 3: Draw Weight Adjustment

Draw weight can be adjusted by using a hex wrench to either tighten or loosen the limb bolt. The specific method for adjusting draw length varies by model as described below.

WARNING: DO NOT TURN THE LIMB BOLTS OUT MORE THAN THE RECOMMENDED AMOUNT. Doing so could cause the limbs to break out of their pockets and result in bodily injury.

Blackout SS, Blackout, Toxik XT, and Kronik XT

Draw weight on these models can be adjusted 10 pounds down from the bow's peak draw weight. For example, if the bow is shipped as a 60 pound model, the draw weight can be adjusted down to 50 pounds. The procedure is as follows (**see Fig. 3**):

Using a hex wrench, tighten or loosen the limb bolts to increase or decrease draw weight. For these bows, one turn of the limb bolt equals approximately 2.5 pounds. **DO NOT** back out the limb bolt past the limb bolt inspection hole in the riser. The limb bolt **MUST BE** visible in the limb bolt inspection hole. The top and bottom limb bolts should be tightened and loosened equally.

WARNING: DO NOT TURN LIMB BOLTS OUT MORE THAN THE RECOMMENDED AMOUNT WHEN SHOOTING YOUR BOW. **Doing so could result in bodily injury.**

CENTER SHOT

Center shot can be set by measuring from the back of the riser to the arrow and then from the front of the riser to the arrow. Once this is equal, you are at the approximate center shot of your bow (**see Figure 5**). This is a good starting point when tuning your RedHead by BOWTECH bow. Keep in mind, not all bows tune at exact center shot due to the variances in arrow spine, hand position, and your specific bow poundage. Adjust your arrow rest until the two measurements are equal.

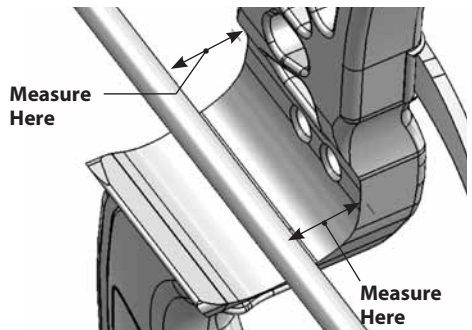


Figure 5: Determining Center Shot

BOW MAINTENANCE

Your RedHead by BOWTECH bow was made with the highest quality components to last for a lifetime of use in the field with proper maintenance. It is important that you NEVER draw and release a bow without an arrow on the string. This could not only hurt you, but can damage your bow. If the bow is dry fired at any time, take it to your local Bass Pro store for a complete inspection. Never leave your RedHead by BOWTECH bow in an area of extreme temperatures. This will cause your string and cables to stretch which effects timing.

Before shooting your bow, always inspect the string and cables and check the limbs for any visible damage. If damage is found, take the bow to your local Bass Pro store for inspection or repair.

Your RedHead by BOWTECH bow comes equipped with sealed bearings for both the cam and idler. There is no need to lubricate the bearings.

STRING & CABLES

Your RedHead by BOWTECH custom bowstring is manufactured to provide long string life and absolute consistency, shot after shot. This results in greater accuracy and less time spent re-tuning your equipment.

It is recommended that you cycle the bow 10-20 times to settle the string as a result of relaxation during packaging and shipping.

Wax the string often. We recommend BCYML 6 synthetic string wax or an equivalent product. To wax the string, apply wax liberally to entire length of string. Rub briskly with fingers until the string appears slick. Remove all excess wax with a clean cloth. We recommend that you wax every other time you shoot your bow to lengthen the life of your string and cable sets.

If you need assistance with setting up, tuning or solving an arrow flight problem, contact your Bass Pro store.

SAFETY AND GENERAL INFORMATION

Your new RedHead by BOWTECH bow is a highly tuned, precise shooting machine. It requires special care and handling to achieve and maintain peak performance. The string, cables and limbs are under extreme tension, which creates an incredible source of energy that must not be taken for granted. Please respect this power and use it properly.

RedHead by BOWTECH bows are standardized to fit most manufacturers' accessories and will perform best when shot with a release.

ADULT SUPERVISION OF ALL CHILDREN UNDER THE AGE OF 18 IS REQUIRED.

RedHead by BOWTECH has designed your bow to be a safe and fun product. However, as with any shooting style product, safety rules must be observed. It is HIGHLY recommended that these rules be read before using any bow.

Bows and arrows are NOT toys. For maximum safety and enjoyment, always exercise caution and common sense when shooting any bow.

WARNING: NEVER DRY FIRE THE BOW

SAFETY AND GENERAL INFORMATION

NEVER draw a bow without an arrow nocked. Doing so could cause personal injury and/or damage the bow. When drawing a bow for inspection or demonstration, never release the string at full draw to let down. Hold onto the string and do not let it slip out of your hands. Without the resistance of a properly weighted arrow to absorb the energy, you may damage the bow and cause personal injury to yourself and/or others.

ALWAYS wear safety glasses when operating or adjusting your bow.

ALWAYS use an appropriate backstop for maximum safety. An appropriate backstop must be constructed of a durable material and must extend beyond the perimeter of the target. The recommended backstop size is determined by the accuracy and ability of the shooter. With a low level of shooter accuracy, the backstop perimeter requirement must be increased appropriately.

NEVER aim or draw any bow in the direction of a person. Aim and draw ONLY in the direction of an appropriate target. ALWAYS have a full view of the path to and beyond the target when shooting.

ALWAYS check all arrow components prior to shooting, including nock, insert and tip. Loose components can cause unbalanced

arrow flight and partial dry firing of the bow. If an arrow has been damaged, or if you believe it has been damaged, do not shoot it again, as it could break on release, and sharp arrow pieces could strike and injure you or someone nearby.

NEVER retrieve arrows or allow anyone else to do so until all arrows have been shot.

NEVER draw the bow without properly adjusted limb bolts (see "Adjusting Draw Weight" section for more information). Make sure the string and cables are properly attached to the correct post and in the correct tracks in order to avoid possible injury.

DO NOT attach anything to the cables or string that could create excessive wear or slice the string material. This will void the warranty.

DO NOT cross cables in any configuration other than the configuration set by the factory. This will have an adverse effect on the performance and shootability of your bow. Further, it may cause extreme wear to the string, cable, and cable-slide/roller guard.

Any alteration from the factory specifications or the adjustments outlined herein will void the factory warranty. ALL maintenance must be performed at a Bass Pro store.



BassPro.com

OWNER'S RECORD

Date of Purchase: _____ Purchase Price: _____

Bow Model & Year: _____

Brace Height: _____

Draw Length: _____ Draw Weight: _____

IBO Speed Rating: _____ String Length: _____ Cable Length: _____

Dealer Purchased From: _____

Dealer's Address: _____

City: _____ State: _____ Zip: _____

Phone No: _____

Email Address: _____

We encourage you to contact and utilize your local Bass Pro store as they can assist you with purchases, services and accessories. To locate the dealer nearest you, visit BassPro.com and click on the "Stores" button. Frequently asked questions and additional contact information can also be found at BassPro.com.

**SIGN UP FOR THE LIFETIME WARRANTY AT
REGISTRYOURBOW.COM**

Every effort has been made to ensure the accuracy of information and typographical content within our owner's manual. RedHead by BOWTECH reserves the right to modify and/or discontinue products without notice and at its discretion.
© 2014 RedHead. All rights reserved.



www.BassPro.com