

TABLE OF CONTENTS

String Care	3
Generation 3.2	4
Black Knight 2	6
Extreme Solo	8
Samson	10
Extreme Short Draw	11
Mighty Mite	12
Tech 29	13
Pro 38	14
Pro 40	15
Patriot	16
Stalker	17
StalkerLite	18
Rascal	19
BlackHawk	20
TomKat	21
Infinity Cam Set Up	22
80% Let-Off Infinity Cam Chart	24
65% Let-Off Infinity Cam Chart	25
Bow Maintenance	26
Trouble Shooting	27
2002 Speed Chart	28-29
2002 Mod Specification Chart	30-31
Warnings	32
About Speed	34
Warranty	35

REMINDER...DON'T FORGET TO REGISTER!

Just go to our web site at www.BowTechArchery.com and click on "Register On-Line" located at the bottom left corner of our home page.

THANK YOU FOR CHOOSING A BOWTECH BOW!

We have designed your new bow to be the best shooting and fastest bow of it's kind in the world. It is designed with patented and patent pending technology that no other bow manufacturer can match. Performance that is guaranteed by the only Bow Company that shoots every bow we sell. And if it doesn't perform to our standards, it doesn't ship. We take great pride in our bows and hope you will too.

As with any weapon, the safe operation of your bow should be the highest priority. Please be careful!

Safety And General Information

Before using your new bow, read and understand the following material outlined in this manual. Failure to follow any of these warnings and instructions can damage your bow and cause injury to yourself and/or others!

Your new BowTech bow is a highly tuned, precise shooting machine. It requires special care and handling to achieve and maintain peak performance. The string, cables and limbs are under extreme tension, which is an incredible source of energy that must not be taken for granted. Please respect this power and use it properly.

Never Dry Fire Your Bow.

When drawing the bow for inspection or demonstration, you should never let go of the string at full draw to let down. You must hold on and not let the string slip out of your hands. Without the resistance of a properly weighted arrow to absorb the energy, you will damage the bow and cause personal injury to both the shooter and others.

Every effort has been made to ensure the accuracy of information and typographical content within our owners manual. BowTech reserves the right to modify, change and/or discontinue products shown without notice and at its discretion.

STRING CARE

Congratulations! You now possess the finest bowstring in the industry today. Your **Winners Choice Custom Bowstring** is manufactured to provide long string life and absolute consistency, shot after shot. This will result in greater accuracy, and less time spent re-tuning your equipment.

Note: Winners Choice Custom Bowstrings are not standard equipment on the Rascal, Stalker, StalkerLite, BlackHawk or TomKat models. However, they may be purchased after market at your BowTech dealer.

Winners Choice Custom Bowstrings have several unique features you should be aware of:

True center peep installation string. (shooting string only): you will notice a small piece of string tied through the bowstring just above the center serving. This was installed in the true center of the string during manufacturing. We first recommend shooting the bow 20-25 times to remove all looseness from the string as a result of relaxation during packaging. Next simply use the peep installation string to separate the bowstring. Install the peep, then **carefully** cut and remove the installation string...even if you do not use a peep. In most cases, to properly align the peep - simply twist or untwist the string from the bottom in 1/2 turn increments until the peep aligns. **In rare cases...**this procedure may need to be repeated one time after an additional 200 shots.

Wax string often. We recommend BCYML 6 synthetic string wax. Or equivalent product. To wax string, apply wax liberally to entire length of string. Rub briskly with fingers until string looks slick. Remove all excess wax with a clean cloth.

On one of the loop ends, you may notice an area of the served string that is slightly larger than the rest, and may have small gaps in the serving....this is normal and quite integral to the performance of your new string.

We are certain – you will find that your Winners Choice product to be the finest product of its kind. If you do have a problem with one of our strings or cables, please contact us immediately so we may promptly remedy the situation and return you to the activity you enjoy – **shooting**.

Questions or comments contact:

Winners Choice Custom BowStrings Inc.

141 East Main, John Day, Or. 97845

or call us at (541) 575-0818

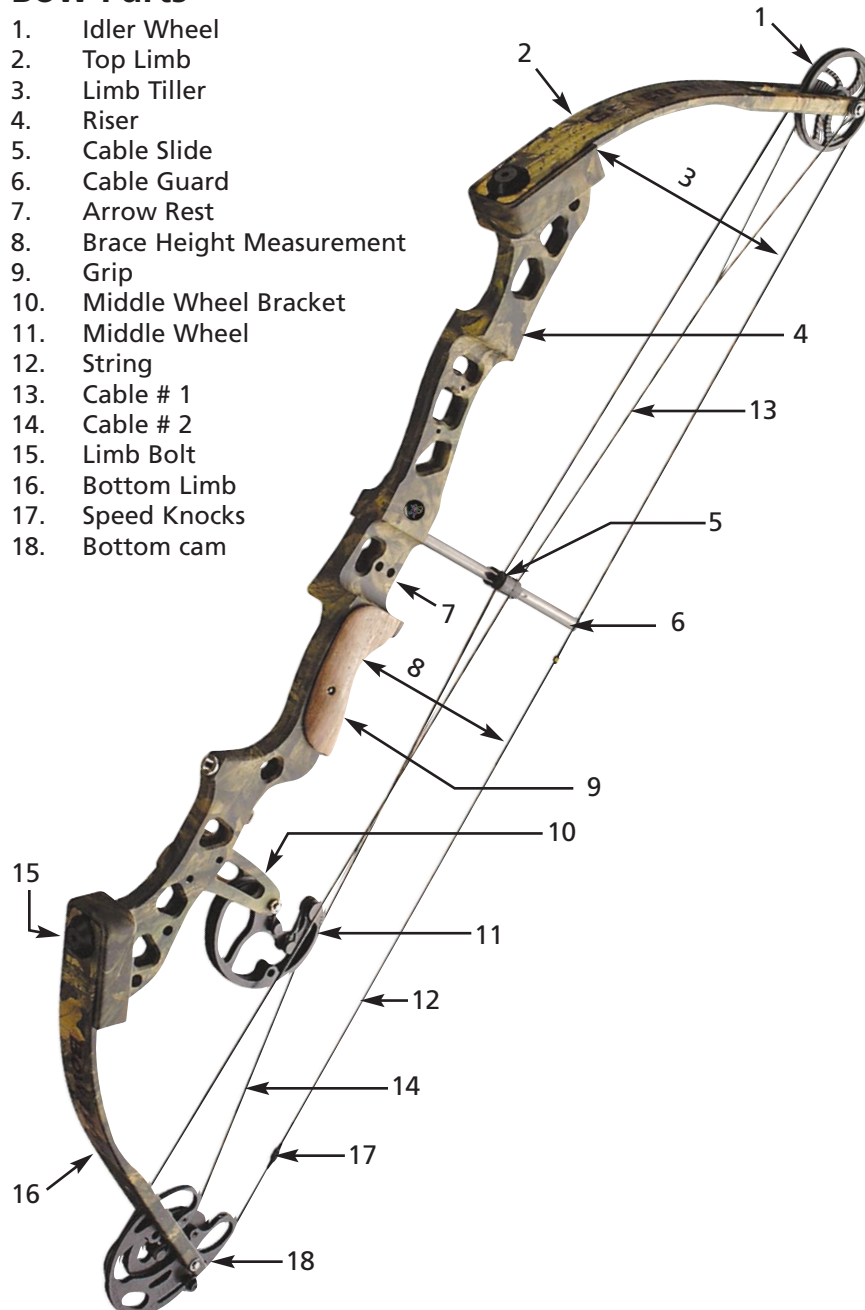
Fax (541) 575-2374

E-mail: winnerschoice@highdesertnet.com

GENERATION 3.2

Bow Parts

1. Idler Wheel
2. Top Limb
3. Limb Tiller
4. Riser
5. Cable Slide
6. Cable Guard
7. Arrow Rest
8. Brace Height Measurement
9. Grip
10. Middle Wheel Bracket
11. Middle Wheel
12. String
13. Cable # 1
14. Cable # 2
15. Limb Bolt
16. Bottom Limb
17. Speed Knocks
18. Bottom cam



GENERATION 3.2

SET UP

The **Generation 3.2** is factory tuned right out of the box. You will need to set your draw to the correct length. (An Authorized BowTech dealer should do this step.) The **Generation 3.2** has a module draw system. Each module equals 1" of draw length. To change your draw length, see your Authorized BowTech dealer for installation of a different module.

Setting the Peak Weight: One full 360 degree turn on the limb bolt equals 3-4 lbs. The bow is set up for only 10lb increments and allows for no more than 2 1/2, 360 degree turns. **Every bow will perform best at peak weight.** The **Generation 3.2** comes standard to fit most manufacturers accessories. **This bow is intended to shoot with a mechanical release.**

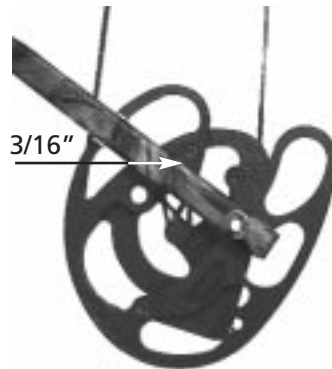
TUNING

The **Generation 3.2** bow needs to be properly tuned to achieve maximum performance. Any alterations to the original factory set-up will inhibit that performance. For optimum results keep the PF cam properly tuned. Your **Generation 3.2**, is factory set at 3/16 of an inch gap between the module screw and the limb. (See diagram below).

SPECIFICATIONS

Draw Weights	50-60-70#
*Let Off	65-80%
Axle-Axle	37.375"
Mass Weight	4.6 Lbs
Brace Height	7"
Draw Lengths	26-31"
IBO	312-320 fps

*Infinity cam only

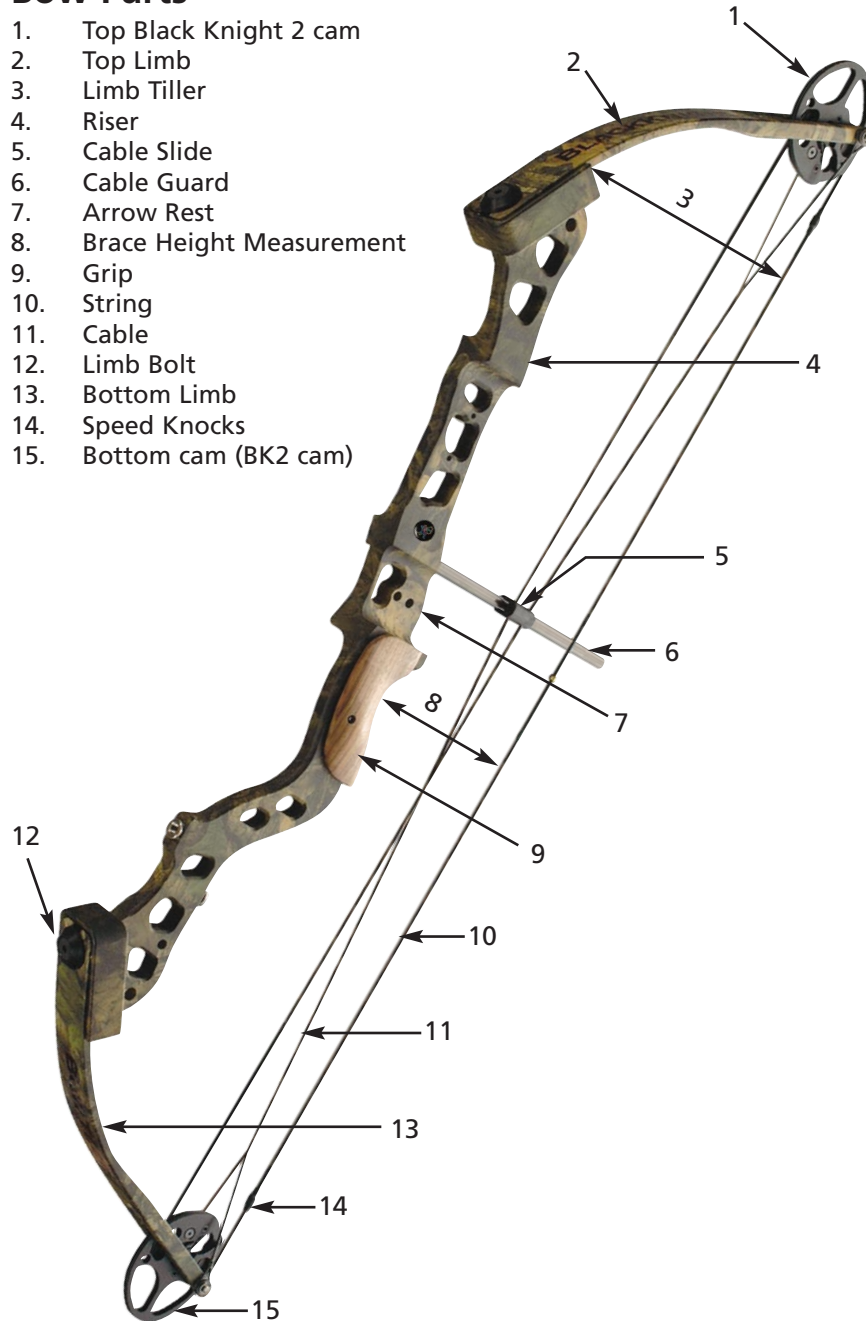


The **Generation 3.2** comes from the factory pre-set. There are two nocks added to the bottom part of the string. This will enhance the speed of the bow; however, adding or removing additional knocks will only reduce the performance. When replacing the string, the speed knocks should be placed 4.25" from the bottom axle. When string or cables need to be replaced, contact your authorized BowTech dealer to purchase only BowTech replacement parts. Any addition of non-Bowtech replacement parts could void your warranty. Properly maintained and tuned, the **Generation 3.2** will perform at its maximum potential.

BLACK KNIGHT 2

Bow Parts

1. Top Black Knight 2 cam
2. Top Limb
3. Limb Tiller
4. Riser
5. Cable Slide
6. Cable Guard
7. Arrow Rest
8. Brace Height Measurement
9. Grip
10. String
11. Cable
12. Limb Bolt
13. Bottom Limb
14. Speed Knocks
15. Bottom cam (BK2 cam)



BLACK KNIGHT 2

SET UP

The **Black Knight 2** is factory tuned right out of the box. You will need to set your draw to the correct length. (An Authorized BowTech dealer should do this step.) The **Black Knight 2** has a module draw system. Each module equals 1" of draw length. To change your draw length, see your Authorized BowTech dealer for installation of the correct module's.

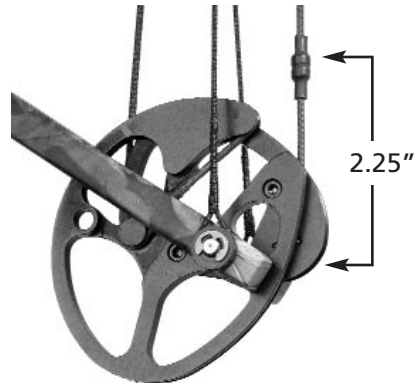
Setting the Peak Weight: One full 360-degree turn on the limb bolt equals 3-4 lbs. The bow is set up for only 10lb increments and allows for no more than 2 1/2, 360-degree turns. **Every bow will perform best at peak weight.** The **Black Knight 2** comes standard to fit most manufacturers accessories. **This bow is intended to shoot with a mechanical release.**

TUNING

The **Black Knight 2** bow needs to be properly timed to achieve maximum performance. Any alterations to the original factory set-up will inhibit that performance. For optimum results keep the BK cams in perfect synchronization. This should be done by an authorized pro shop.

SPECIFICATIONS

Draw Weights	50-60-70#
Let Off	65%
Axle-Axle	37.5"
Mass Weight	4.25 Lbs
Option 1	
Brace Height	5.5"
Draw Lengths	26-30"
IBO	342-350 fps
Option 2	
Brace Height	6.5"
Draw Lengths	27-31"
IBO	331-339 fps

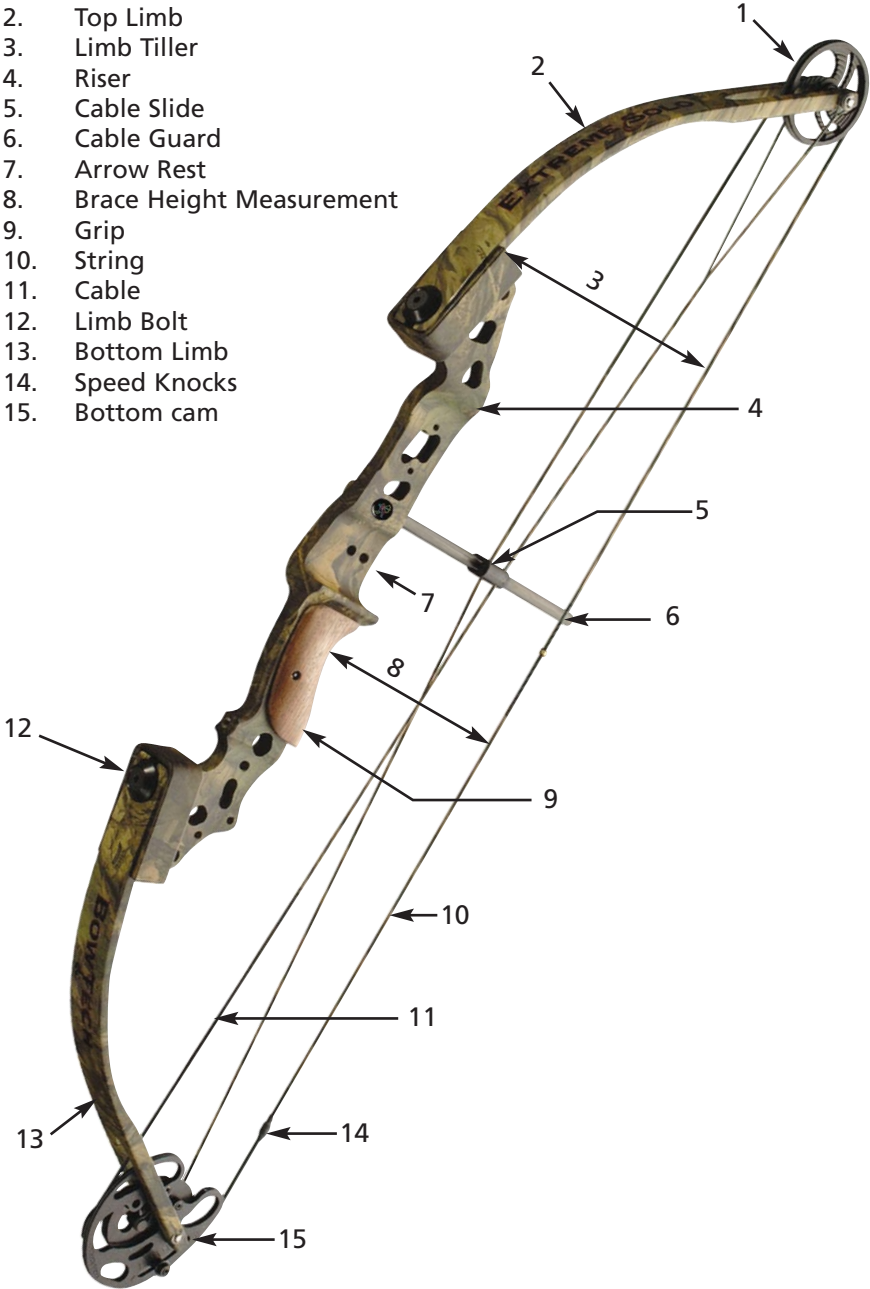


The **Black Knight 2** comes from the factory pre-set. There are two nocks added to the top and bottom part of the string. This will enhance the speed of the bow; however, adding or removing additional nocks will only reduce the performance. When replacing the string, the speed nocks should be placed 2.25" from the axles. When string or cables need to be replaced, contact your authorized BowTech dealer to purchase only BowTech replacement parts. Any addition of non-Bowtech replacement parts could void your warranty. Properly maintained and tuned, the **Black Knight 2** will perform at its maximum potential.

EXTREME SOLO

Bow Parts

- 1. Idler Wheel
- 2. Top Limb
- 3. Limb Tiller
- 4. Riser
- 5. Cable Slide
- 6. Cable Guard
- 7. Arrow Rest
- 8. Brace Height Measurement
- 9. Grip
- 10. String
- 11. Cable
- 12. Limb Bolt
- 13. Bottom Limb
- 14. Speed Knocks
- 15. Bottom cam



EXTREME SOLO

SET UP

The **Extreme Solo** is factory tuned right out of the box. You will need to set your draw to the correct length. (An Authorized BowTech dealer should do this step.) The **Extreme Solo** has a module draw system. Each module equals 1" of draw length. To change your draw length, see your Authorized BowTech dealer for installation of a different module.

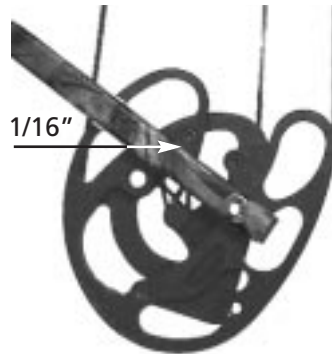
Setting the Peak Weight: One full 360 degree turn on the limb bolt equals 3-4 lbs. The bow is set up for only 10lb increments and allows for no more than 2 1/2, 360 degree turns. **Every bow will perform best at peak weight.** The **Extreme Solo** comes standard to fit most manufacturers accessories. **This bow is intended to shoot with a mechanical release.**

TUNING

The **Extreme Solo** bow needs to be properly tuned to achieve maximum performance. Any alterations to the original factory set-up will inhibit that performance. For optimum results keep the PF cam properly tuned. Your Extreme Solo, is Factory set at a 1/16 of an inch gap between the module screw and the limb. (See diagram below).

SPECIFICATIONS

Draw Weights	60-70#
*Let Off	65-80%
Axle-Axle	35"
Mass Weight	3.5 Lbs
Option 1	
Brace Height	6"
Draw Lengths	25-30"
IBO	325-333 fps
Option 2	
Brace Height	7"
Draw Lengths	26-31"
IBO	311-319 fps



* Infinity cam only

The **Extreme Solo** comes from the factory pre-set. There are two nocks added to the bottom part of the string. This will enhance the speed of the bow; however, adding or removing additional knocks will only reduce the performance. When replacing the string, the speed knocks should be placed 4.5" from the bottom axle. When string or cables need to be replaced, contact your authorized BowTech dealer to purchase only BowTech replacement parts. Any addition of non-Bowtech replacement parts could void your warranty. Properly maintained and tuned, the **Extreme Solo** will perform at its maximum potential.

SAMSON



SET UP

The **Samson** is factory tuned right out of the box. You will need to set your draw to the correct length. (An Authorized BowTech dealer should do this step.) The **Samson** has a module draw system. Each module equals 1" of draw length. To change your draw length, see your Authorized BowTech dealer for installation of a different module.

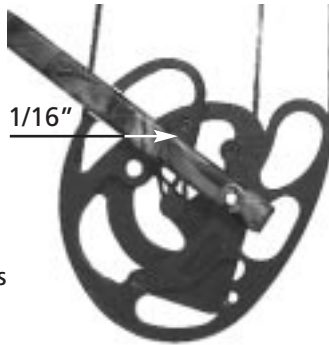
Setting the Peak Weight: One full 360 degree turn on the limb bolt equals 3-4 lbs. The bow is set up for only 10lb increments and allows for no more than 2 1/2, 360 degree turns. **(Every bow will perform best at peak weight).** The **Samson** comes standard to fit most manufacturers accessories. **This bow is intended to shoot with a mechanical release.**

TUNING

The **Samson** bow needs to be properly tuned to achieve maximum performance. Any alterations to the original factory set-up will inhibit that performance. For optimum results keep the PF cam properly tuned. Your **Samson** is factory set at a 1/16 of an inch gap between the inside module screw and the limb. (See photo below).

SPECIFICATIONS

Draw Weights	80-90-100#	
*Let Off	65-80%	
Axle-Axle	35"	
Mass Weight	3.5 Lbs	
	Option 1	Option 2
Brace Height	5.625"	6.625"
Draw Lengths	25-30"	26-31"
IBO	325-333 fps	311-319 fps



* Infinity cam only

The **Samson** comes from the factory pre-set. There are two nocks added to the bottom part of the string. This will enhance the speed of the bow; however, adding or removing additional nocks will only reduce the performance. When replacing the string, the speed nocks should be placed 4.5" from the bottom axle. When string or cables need to be replaced, contact your authorized BowTech dealer to purchase only BowTech replacement parts. Any addition of non-Bowtech replacement parts could void your warranty. Properly maintained and tuned, the **Samson** will perform at its maximum potential.

EXTREME SHORT DRAW



SET UP

The **Extreme SD** is factory tuned right out of the box. You will need to set your draw to the correct length. (An Authorized BowTech dealer should do this step.) The **Extreme SD** has a module draw system. Each module equals 1" of draw length. To change your draw length, see your Authorized BowTech dealer for installation of a different module.

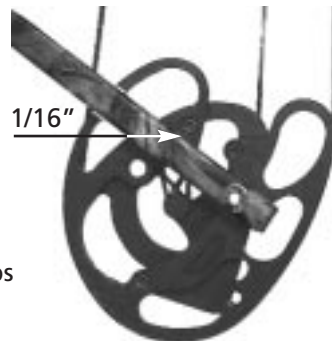
Setting the Peak Weight: One full 360 degree turn on the limb bolt equals 3-4 lbs. The bow is set up for only 10lb increments and allows for no more than 2 1/2, 360 degree turns. **(Every bow will perform best at peak weight).** The **Extreme SD** comes standard to fit most manufacturers accessories. **This bow is intended to shoot with a mechanical release.**

TUNING

The **Extreme SD** bow needs to be properly tuned to achieve maximum performance. Any alterations to the original factory set-up will inhibit that performance. For optimum results keep the PF cam properly tuned. Your **Extreme SD**, is factory set at a 1/16 of an inch gap between the inside module screw and the limb. (See photo below).

SPECIFICATIONS

Draw Weights	40-50-60-70#	
*Let Off	65-80%	
Axle-Axle	32.5"	
Mass Weight	3.6 Lbs	
	Option 1	Option 2
Brace Height	6"	7"
Draw Lengths	24-29"	25-30"
IBO	314-322 fps	304-313 fps



* Infinity cam only

The **Extreme SD** comes from the factory pre-set. There are two nocks added to the bottom part of the string. This will enhance the speed of the bow; however, adding or removing additional nocks will only reduce the performance. When replacing the string, the speed nocks should be placed 4.375" from the bottom axle. When string or cables need to be replaced, contact your authorized BowTech dealer to purchase only BowTech replacement parts. Any addition of non-Bowtech replacement parts could void your warranty. Properly maintained and tuned, the **Extreme SD** will perform at its maximum potential.

MIGHTY MITE



SET UP

The **Mighty Mite** is factory tuned right out of the box. You will need to set your draw to the correct length. (An Authorized BowTech dealer should do this step.) The **Mighty Mite** has a module draw system. Each module equals 1" of draw length. To change your draw length, see your Authorized BowTech dealer for installation of a different module.

Setting the Peak Weight: One full 360 degree turn on the limb bolt equals 3-4 lbs. The bow is set up for only 10lb increments and allows for no more than 2 1/2, 360 degree turns. **(Every bow will perform best at peak weight).** The **Mighty Mite** comes standard to fit most manufacturers accessories. **This bow is intended to shoot with a mechanical release.**

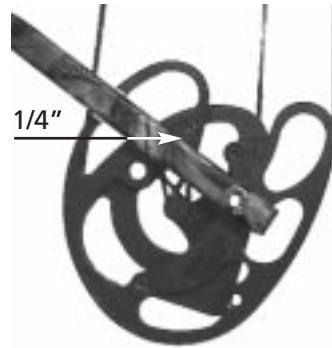
TUNING

The **Mighty Mite** bow needs to be properly tuned to achieve maximum performance. Any alterations to the original factory set-up will inhibit that performance. For optimum results keep the PF cam properly tuned. Your **Mighty Mite**, is factory set at 1/4 of an inch gap between the inside module screw and the limb. (See photo below).

SPECIFICATIONS

Draw Weights	60-70#
*Let Off	65-80%
Axle-Axle	31.5"
Mass Weight	3.6 Lbs
Brace Height	7.2"
Draw Lengths	25-30"
IBO	316-324 fps

* Infinity cam only



The **Mighty Mite** comes from the factory pre-set. There are two nocks added to the bottom part of the string. This will enhance the speed of the bow; however, adding or removing additional nocks will only reduce the performance. When replacing the string, the speed nocks should be placed 4" from the bottom axle. When string or cables need to be replaced, contact your authorized BowTech dealer to purchase only BowTech replacement parts. Any addition of non-Bowtech replacement parts could void your warranty. Properly maintained and tuned, the **Mighty Mite** will perform at its maximum potential.

TECH 29



SET UP

The **Tech 29** is factory tuned right out of the box. You will need to set your draw to the correct length. (An Authorized BowTech dealer should do this step.) The **Tech 29** has a module draw system. Each module equals 1" of draw length. To change your draw length, see your Authorized BowTech dealer for installation of a different module.

Setting the Peak Weight: One full 360 degree turn on the limb bolt equals 3-4 lbs. The bow is set up for only 10lb increments and allows for no more than 2 1/2, 360 degree turns. **(Every bow will perform best at peak weight).** The **Tech 29** comes standard to fit most manufacturers accessories. **This bow is intended to shoot with a mechanical release.**

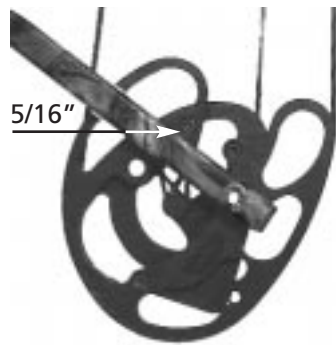
TUNING

The **Tech 29** bow needs to be properly tuned to achieve maximum performance. Any alterations to the original factory set-up will inhibit that performance. For optimum results keep the PF cam properly tuned. Your **Tech 29**, is factory set at 5/16 of an inch gap between the inside module screw and the limb. (See photo below).

SPECIFICATIONS

Draw Weights	50-60-70#
*Let Off	65-80%
Axle-Axle	29.5"
Mass Weight	3.6 Lbs
Brace Height	6.5"
Draw Lengths	24-29"
IBO	314-320 fps

* Infinity cam only



The **Tech 29** comes from the factory pre-set. There are two nocks added to the bottom part of the string. This will enhance the speed of the bow; however, adding or removing additional nocks will only reduce the performance. When replacing the string, the speed nocks should be placed 4" from the bottom axle. When string or cables need to be replaced, contact your authorized BowTech dealer to purchase only BowTech replacement parts. Any addition of non-Bowtech replacement parts could void your warranty. Properly maintained and tuned, the **Tech 29** will perform at its maximum potential.

PRO 38



SET UP

The **Pro 38** is factory tuned right out of the box. You will need to set your draw to the correct length. (An Authorized BowTech dealer should do this step.) The **Pro 38** has a module draw system. Each module equals 1" of draw length. To change your draw length, see your Authorized BowTech dealer for installation of a different module.

Setting the Peak Weight: One full 360 degree turn on the limb bolt equals 3-4 lbs. The bow is set up for only 10lb increments and allows for no more than 2 1/2, 360 degree turns. **(Every bow will perform best at peak weight).** The **Pro 38** comes standard to fit most manufacturers accessories. **This bow is intended to shoot with a mechanical release.**

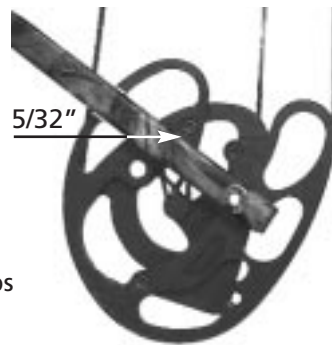
TUNING

The **Pro 38** bow needs to be properly tuned to achieve maximum performance. Any alterations to the original factory set-up will inhibit that performance. For optimum results keep the PF cam properly tuned. Your **Pro 38**, is factory set at 5/32 of an inch gap between the inside module screw and the limb. (See photo below).

SPECIFICATIONS

Draw Weights	50-60-70#	
*Let Off	65-80%	
Axle-Axle	37.312"	
Mass Weight	4.25 Lbs	
	Option 1	Option 2
Brace Height	6"	7"
Draw Lengths	25-30"	26-31"
IBO	322-330 fps	310-318 fps

* Infinity cam only



The **Pro 38** comes from the factory pre-set. There are two nocks added to the bottom part of the string. This will enhance the speed of the bow; however, adding or removing additional nocks will only reduce the performance. When replacing the string, the speed nocks should be placed 4.5" from the bottom axle. When string or cables need to be replaced, contact your authorized BowTech dealer to purchase only BowTech replacement parts. Any addition of non-Bowtech replacement parts could void your warranty. Properly maintained and tuned, the **Pro 38** will perform at its maximum potential.

PRO 40



SET UP

The **Pro 40** is factory tuned right out of the box. You will need to set your draw to the correct length. (An Authorized BowTech dealer should do this step.) The **Pro 40** has a module draw system. Each module equals 1" of draw length. To change your draw length, see your Authorized BowTech dealer for installation of a different module.

Setting the Peak Weight: One full 360 degree turn on the limb bolt equals 3-4 lbs. The bow is set up for only 10lb increments and allows for no more than 2 1/2, 360 degree turns. **(Every bow will perform best at peak weight).** The **Pro 40** comes standard to fit most manufacturers accessories. **This bow is intended to shoot with a mechanical release.**

TUNING

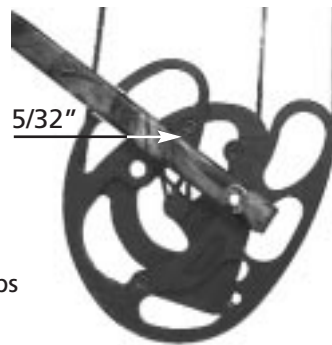
The **Pro 40** bow needs to be properly tuned to achieve maximum performance. Any alterations to the original factory set-up will inhibit that performance. For optimum results keep the PF cam properly tuned. Your **Pro 40**, is factory set at a 5/32 of an inch gap between the inside module screw and the limb. (See photo below).

SPECIFICATIONS

Draw Weights	50-60-70#	
*Let Off	65-80%	
Axle-Axle	38.5"	
Mass Weight	4.35 Lbs	
	Option 1	Option 2
Brace Height	6.75"	7.75"
Draw Lengths	26-31"	27-32"
IBO	310-318 fps	300-308 fps

* Infinity cam only

The **Pro 40** comes from the factory pre-set. There are two nocks added to the bottom part of the string. This will enhance the speed of the bow; however, adding or removing additional nocks will only reduce the performance. When replacing the string, the speed nocks should be placed 4.5" from the bottom axle. When string or cables need to be replaced, contact your authorized BowTech dealer to purchase only BowTech replacement parts. Any addition of non-Bowtech replacement parts could void your warranty. Properly maintained and tuned, the **Pro 40** will perform at its maximum potential.



PATRIOT



SET UP

The **Patriot** is factory tuned right out of the box. You will need to set your draw to the correct length. (An Authorized BowTech dealer should do this step.) The **Patriot** has a module draw system. Each module equals 1" of draw length. To change your draw length, see your Authorized BowTech dealer for installation of a different module.

Setting the Peak Weight: One full 360 degree turn on the limb bolt equals 3-4 lbs. The bow is set up for only 10lb increments and allows for no more than 2 1/2, 360 degree turns. **(Every bow will perform best at peak weight).** The **Patriot** comes standard to fit most manufacturers accessories. **This bow is intended to shoot with a mechanical release.**

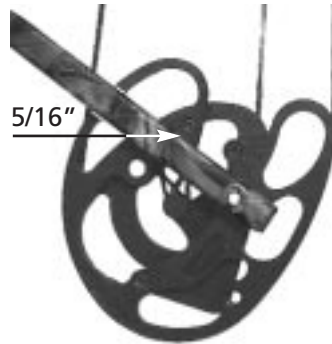
TUNING

The **Patriot** bow needs to be properly tuned to achieve maximum performance. Any alterations to the original factory set-up will inhibit that performance. For optimum results keep the PF cam properly tuned. Your **Patriot**, is factory set at a 5/16 of an inch gap between the inside module screw and the limb. (See the photo below).

SPECIFICATIONS

Draw Weights	40-50-60-70#
*Let Off	65-80%
Axle-Axle	33.75"
Mass Weight	4.25 Lbs
Brace Height	7.25"
Draw Lengths	25-30"
IBO	312-320 fps

* Infinity cam only



The **Patriot** comes from the factory pre-set. There are two nocks added to the bottom part of the string. This will enhance the speed of the bow; however, adding or removing additional nocks will only reduce the performance. When replacing the string, the speed nocks should be placed 4.5" from the bottom axle. When string or cables need to be replaced, contact your authorized BowTech dealer to purchase only BowTech replacement parts. Any addition of non-Bowtech replacement parts could void your warranty. Properly maintained and tuned, the **Patriot** will perform at its maximum potential.

STALKER



SET UP

The **Stalker** is factory tuned right out of the box. You will need to set your draw to the correct length. (An Authorized BowTech dealer should do this step.) The **Stalker** has a module draw system. Each module equals 1" of draw length. To change your draw length, see your Authorized BowTech dealer for installation of a different module.

Setting the Peak Weight: One full 360 degree turn on the limb bolt equals 3-4 lbs. The bow is set up for only 10lb increments and allows for no more than 2 1/2, 360 degree turns. **(Every bow will perform best at peak weight).** The **Stalker** comes standard to fit most manufacturers accessories. **This bow is intended to shoot with a mechanical release.**

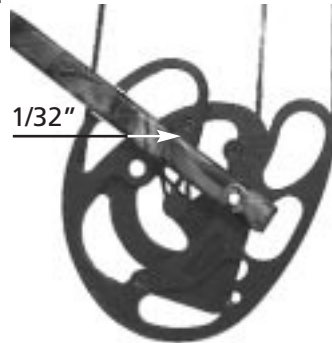
TUNING

The **Stalker** bow needs to be properly tuned to achieve maximum performance. Any alterations to the original factory set-up will inhibit that performance. For optimum results keep the PF cam properly tuned. Your **Stalker**, is factory set at a 3/16 of an inch gap between the inside module screw and the limb. (See the photo below).

SPECIFICATIONS

Draw Weights	40-50-60-70#
*Let Off	65-80%
Axle-Axle	33.5"
Mass Weight	2.9 Lbs
Brace Height	7.75"
Draw Lengths	27-32"
IBO	298-306 fps

* Infinity cam only



The **Stalker** comes from the factory pre-set. There are two nocks added to the bottom part of the string. This will enhance the speed of the bow; however, adding or removing additional nocks will only reduce the performance. When replacing the string, the speed nocks should be placed 4.25" from the bottom axle. When string or cables need to be replaced, contact your authorized BowTech dealer to purchase only BowTech replacement parts. Any addition of non-Bowtech replacement parts could void your warranty. Properly maintained and tuned, the **Stalker** will perform at its maximum potential. **Note:** Winners Choice Custom Bowstrings are not standard equipment on the Stalker.

STALKERLITE



SET UP

The **StalkerLite** is factory tuned right out of the box. You will need to set your draw to the correct length. (An Authorized BowTech dealer should do this step.) The **StalkerLite** has a module draw system. Each module equals 1" of draw length. To change your draw length, see your Authorized BowTech dealer for installation of a different module.

Setting the Peak Weight: One full 360 degree turn on the limb bolt equals 3-4 lbs. The bow is set up for only 10lb increments and allows for no more than 2 1/2, 360 degree turns. **(Every bow will perform best at peak weight).** The **StalkerLite** comes standard to fit most manufacturers accessories. **This bow is intended to shoot with a mechanical release.**

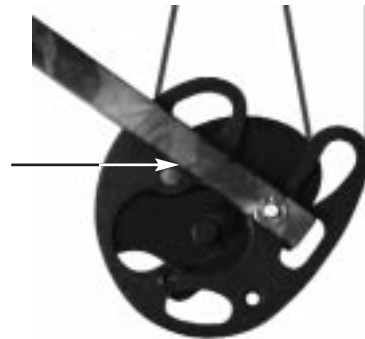
TUNING

The **StalkerLite** bow needs to be properly tuned to achieve maximum performance. Any alterations to the original factory set-up will inhibit that performance. For optimum results keep the PF cam properly tuned. Your **StalkerLite**, is factory set set with the edge of the drill hole at the edge of the limb. (See the photo below).

SPECIFICATIONS

Draw Weights	30-40-50-60#
Let Off	65-80%
Axle-Axle	33.75"
Mass Weight	2.85 Lbs
Brace Height	7"
Draw Lengths	23-29"
IBO	288-295 fps

* Based on 29" @ 60# draw weight



The **StalkerLite** comes from the factory pre-set. There are two nocks added to the bottom part of the string. This will enhance the speed of the bow; however, adding or removing additional nocks will only reduce the performance. When replacing the string, the speed nocks should be placed 3.75" from the bottom axle. When string or cables need to be replaced, contact your authorized BowTech dealer to purchase only BowTech replacement parts. Any addition of non-Bowtech replacement parts could void your warranty. Properly maintained and tuned, the **StalkerLite** will perform at its maximum potential. **Note:** Winners Choice Custom Bowstrings are not standard equipment on the StalkerLite.

RASCAL



SET UP

The **Rascal** is factory tuned right out of the box. (**Note:** see safety rules on page 32 before shooting.) You will need to set your draw to the correct length. (An Authorized BowTech dealer should do this step.) The **Rascal** has a module draw system. Each module equals 1" of draw length. To change your draw length, see your Authorized BowTech dealer for installation of a different module.

Setting the Peak Weight: One full 360 degree turn on the limb bolt equals 3-4 lbs. The bow is set up for only 10lb increments and allows for no more than 2 1/2, 360 degree turns. (**Every bow will perform best at peak weight**). The **Rascal** comes standard to fit most manufacturers accessories. **This bow is intended to shoot with a mechanical release.**

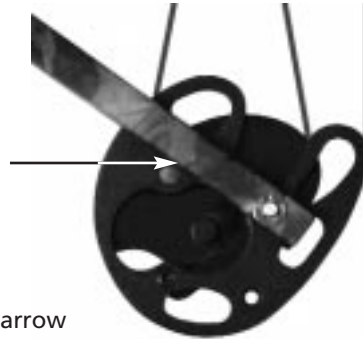
TUNING

The **Rascal** bow needs to be properly tuned to achieve maximum performance. Any alterations to the original factory set-up will inhibit that performance. For optimum results keep the PF cam properly tuned. Your **Rascal**, is factory set with the edge of the drill hole at the edge of the limb. (See the photo below).

SPECIFICATIONS

Draw Weights	20-30-40#
*Let Off	65-80%
Axle-Axle	24.375"
Mass Weight	2 Lbs
Brace Height	7.5"
Draw Lengths	19-25"
IBO	256-262* fps

* Based on 25" draw 40# with a 200 grain arrow



The **Rascal** comes from the factory pre-set. There are two nocks added to the bottom part of the string. This will enhance the speed of the bow; however, adding or removing additional nocks will only reduce the performance. When replacing the string, the speed nocks should be placed 3.5" from the bottom axle. When string or cables need to be replaced, contact your authorized BowTech dealer to purchase only BowTech replacement parts. Any addition of non-Bowtech replacement parts could void your warranty. Properly maintained and tuned, the **Rascal** will perform at its maximum potential. **Note:** Winners Choice Custom Bowstrings are not standard equipment on the Rascal.

BLACKHAWK



SET UP

The **BlackHawk** is factory tuned right out of the box. You will need to set your draw to the correct length. (An Authorized BowTech dealer should do this step.) The **BlackHawk** has a module draw system. Each module equals 1" of draw length. To change your draw length, see your Authorized BowTech dealer for installation of a different module.

Setting the Peak Weight: One full 360 degree turn on the limb bolt equals 3-4 lbs. The bow is set up for only 10lb increments and allows for no more than 2 1/2, 360 degree turns. **(Every bow will perform best at peak weight).** The **BlackHawk** comes standard to fit most manufacturers accessories. **This bow is intended to shoot with a mechanical release.**

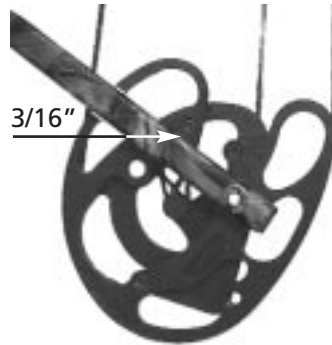
TUNING

The **BlackHawk** bow needs to be properly tuned to achieve maximum performance. Any alterations to the original factory set-up will inhibit that performance. For optimum results keep the PF cam properly tuned. Your **BlackHawk**, is factory set at a 5/16 of an inch gap between the inside module screw and the limb. (See the photo below).

SPECIFICATIONS

Draw Weights	60-70#
*Let Off	65-80%
Axle-Axle	28.5"
Mass Weight	3.1 Lbs
Brace Height	9.125"
Draw Lengths	26-31"
IBO	290-298 fps

* Infinity cam only



The **BlackHawk** comes from the factory pre-set. There are two nocks added to the bottom part of the string. This will enhance the speed of the bow; however, adding or removing additional nocks will only reduce the performance. When replacing the string, the speed nocks should be placed 4.5" from the bottom axle. When string or cables need to be replaced, contact your authorized BowTech dealer to purchase only BowTech replacement parts. Any addition of non-Bowtech replacement parts could void your warranty. Properly maintained and tuned, the **BlackHawk** will perform at its maximum potential. **Note:** Winners Choice Custom Bowstrings are not standard equipment on the BlackHawk.

TOMKAT



SET UP

The TomKat is factory tuned right out of the box. You will need to set your draw to the correct length. (An Authorized BowTech dealer should do this step.) The TomKat has a module draw system. Each module equals 1" of draw length. To change your draw length, see your Authorized BowTech dealer for installation of a different module.

Setting the Peak Weight: One full 360 degree turn on the limb bolt equals 3-4 lbs. The bow is set up for only 10lb increments and allows for no more than 2 1/2, 360 degree turns. **(Every bow will perform best at peak weight).** The TomKat comes standard to fit most manufacturers accessories. **This bow is intended to shoot with a mechanical release.**

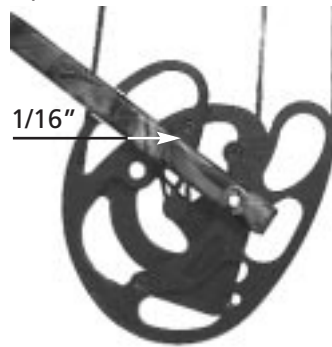
TUNING

The TomKat bow needs to be properly tuned to achieve maximum performance. Any alterations to the original factory set-up will inhibit that performance. For optimum results keep the PF cam properly tuned. Your TomKat, is factory set at a 3/16 of an inch gap between the inside module screw and the limb. (See the photo below).

SPECIFICATIONS

Draw Weights	60-70#
*Let Off	65-80%
Axle-Axle	31"
Mass Weight	3.0 Lbs
Brace Height	9.125"
Draw Lengths	27-32"
IBO	284-292 fps

* Infinity cam only



The TomKat comes from the factory pre-set. There are two nocks added to the bottom part of the string. This will enhance the speed of the bow; however, adding or removing additional nocks will only reduce the performance. When replacing the string, the speed nocks should be placed 4.5" from the bottom axle. When string or cables need to be replaced, contact your authorized BowTech dealer to purchase only BowTech replacement parts. Any addition of non-Bowtech replacement parts could void your warranty. Properly maintained and tuned, the TomKat will perform at its maximum potential. **Note:** Winners Choice Custom Bowstrings are not standard equipment on the TomKat.

INFINITY CAM SET UP

BowTech has introduced a cam that is very unique...it is called the Infinity cam. It is unique from most other draw stop cams because of its continuously machined slot in the cam (you are not limited to holes drilled in pre-set areas for adjustment).

Adjusting the cam to your preferred shooting style is easy and simple when you understand how the cam works. **The Infinity cam is still a modular adjusted cam and when changing a draw module you must move the post setting as well!** You first change the module to your closest draw length setting before attempting to fine tune your let-off etc. (See mod specification chart page 30) The post settings are designed to make changes minutely up to 1/2" in draw up or down from the draw-length originated by the module. Moving the draw post is like customizing your own module to stop in the exact desired position for you. The post acts like the last part of your module track stopping the string exactly where you want it stopped. The post rotates around until it comes into contact with your bottom limb giving you the most solid wall on the market. What does this mean for you ...the most accurate anchor point available!

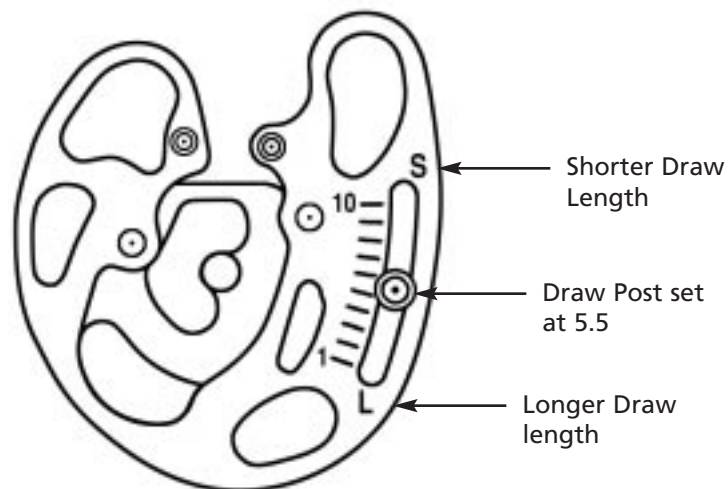
Moving the post is very simple.... start by adjusting the Allen screw on the post...loosen it enough to move it in the slot towards the S (short) or L (long) markings on the cam. (This should be done while the bow is at rest). When adjusting the post, note that very little movement is required to change things dramatically. The **Infinity cam** has a machined slot to incorporate all the settings necessary for all of the **BowTech** models. Each model at each draw length makes up a very small area of the machined slot. Please make sure that you understand how the cam works before trying to make any changes. Your draw stop cam can be dangerous and very inefficient when adjusted improperly (see illustration on page 23 for proper post settings). When you draw the bow back, make sure that the post stops the draw cycle. If the post is not stopping the draw cycle...you are over-rotating the cam and may damage your strings and cables. You will need to adjust the post setting towards the S slot to rectify this. When adjusting the post closer to the S slot you'll notice that you will start to lower your let-off and valley. If this lower let-off is not what you want to achieve, make sure the correct draw module is installed.

CHANGING THE LET OFF

Changing the let-off is very easy; it may take a post setting change, a module change, or both. We will explain how changing the settings of your cam effects let-off...however for the exact draw settings for 65% and 80% on each model (see chart on page 24). First to understand how the post setting changes your let-off let's assume you want to shoot

65%.... think of it as stopping the rotation of the cam on the module track before it fully rotates into the valley. By shortening up the post settings on the cam, you can adjust the let-off of the bow. Some models can be adjusted to almost 0% let-off. Here are some setting examples. Example A: If you want to achieve a 28- 1/2" draw at 80% you would first install a 28 module and adjust the post setting towards the L slot machined into the cam. If you wanted to achieve 65% at 28-1/2" draw you would install a 29" draw module and back the post setting slightly towards the S (short) slot, thus shortening up your valley and lowering your let-off. Example B: Your new Tech-29 came with a #1 module - (29") and you want to change it to 23.5. To get to 23.5" you first install a # 6 module - 24" and adjust the post setting towards the S slot achieving 23.5" draw at 65% let-off. The post settings can be fine tuned to all draw lengths in the spectrum of availability, however by changing your draw it will inherently change your let-off at the same time. You may find that getting the exact let-off at the exact draw length takes some modifications. Most people say that they want to shoot a specified draw length (28") at a specified let-off (80%) when really they might like the feel of 27 7/8" draw at 76% let-off better. But whatever the setting you want..... you have those options with your new **Infinity cam**patented by **Bowtech!**

THE INFINITY CAM



80% INFINITY CAM CHART

MODEL	TIMING MARK	MOD #1 SET/DRAW	MOD #2 SET/DRAW
BLACKHAWK	3/16"	4.0 31"	5.6 30"
EXTREME SD (T)	1/16"	3.2 30"	5.5 29"
EXTREME SD (S)	1/16"	3.2 29"	5.5 28"
EXTREME SOLO (T)	1/16"	3.1 31"	5.2 30"
EXTREME SOLO (S)	1/16"	3.1 30"	5.2 29"
GENERATION 3.2	3/16"	3.6 31"	5.3 30"
MIGHTY MITE	1/4"	3.5 30"	5.2 29"
PATRIOT	5/16"	4.5 30"	6.2 29"
PRO 38 (T)	5/32"	3.7 31"	5.4 30"
PRO 38 (S)	5/32"	3.7 30"	5.4 29"
PRO 40 (T)	5/32"	3.5 32"	5.7 31"
PRO 40 (S)	5/32"	3.5 31"	5.7 30"
SAMSON (T)	1/16"	2.1 31"	4.4 30"
SAMSON (S)	1/16"	2.1 30"	4.4 29"
STALKER	1/32"	3.1 32"	5.0 31"
TECH 29	5/16"	3.5 29"	5.4 28"
TOMKAT	1/16"	3.2 32"	5.0 31"

MODEL	MOD #3 SET/DRAW	MOD #4 SET/DRAW	MOD #5 SET/DRAW	MOD #6 SET/DRAW
BLACKHAWK	6.9 29"	8.0 28"	9.0 27"	9.9 26"
EXTREME SD (T)	6.8 28"	7.9 27"	9.0 26"	10.0 25"
EXTREME SD (S)	6.8 27"	7.9 26"	9.0 25"	10.0 24"
EXTREME SOLO (T)	6.3 29"	7.5 28"	8.6 27"	9.6 26"
EXTREME SOLO (S)	6.3 28"	7.5 27"	8.6 26"	9.6 25"
GENERATION 3.2	6.5 29"	8.0 28"	8.7 27"	9.8 26"
MIGHTY MITE	7.0 28"	7.9 27"	8.9 26"	9.8 25"
PATRIOT	7.5 28"	8.5 27"	9.6 26"	end 25"
PRO 38 (T)	7.0 29"	8.0 28"	9.1 27"	10.1 26"
PRO 38 (S)	7.0 28"	8.0 27"	9.1 26"	10.1 25"
PRO 40 (T)	6.8 30"	7.9 29"	9.0 28"	10.1 27"
PRO 40 (S)	6.8 29"	7.9 28"	9.0 27"	10.1 26"
SAMSON (T)	6.0 29"	7.2 28"	8.4 27"	9.4 26"
SAMSON (S)	6.0 28"	7.2 27"	8.4 26"	9.4 25"
STALKER	6.4 30"	7.5 29"	8.5 28"	9.4 27"
TECH 29	6.4 27"	8.2 26"	9.0 25"	9.9 24"
TOMKAT	6.6 30"	7.8 29"	8.8 28"	9.7 27"

65% INFINITY CAM CHART

MODEL	TIMING MARK	MOD #1 SET/DRAW	MOD #2 SET/DRAW
BLACKHAWK	3/16"	4.5 31"	6.1 30"
EXTREME SD (T)	1/16"	3.9 30"	6.0 29"
EXTREME SD (S)	1/16"	3.9 29"	6.0 28"
EXTREME SOLO (T)	1/16"	3.9 31"	5.5 30"
EXTREME SOLO (S)	1/16"	3.9 30"	5.5 29"
GENERATION 3.2	3/16"	4.2 31"	6.0 30"
MIGHTY MITE	1/4"	4.0 30"	6.0 29"
PATRIOT	5/16"	5.25 30"	7.0 29"
PRO 38 (T)	5/32"	4.1 31"	6.0 30"
PRO 38 (S)	5/32"	4.1 30"	6.0 29"
PRO 40 (T)	5/32"	4.1 32"	6.1 31"
PRO 40 (S)	5/32"	4.1 31"	6.1 30"
SAMSON (T)	1/16"	2.9 31"	4.9 30"
SAMSON (S)	1/16"	2.9 30"	4.9 29"
STALKER	1/32"	3.6 32"	5.6 31"
TECH 29	5/16"	4.3 29"	6.1 28"
TOMKAT	1/16"	3.8 32"	5.5 31"

MODEL	MOD #3 SET/DRAW	MOD #4 SET/DRAW	MOD #5 SET/DRAW	MOD #6 SET/DRAW
BLACKHAWK	7.5 29"	8.6 28"	9.5 27"	end 26"
EXTREME SD (T)	7.3 28"	8.4 27"	9.5 26"	10.5 25"
EXTREME SD (S)	7.3 27"	8.4 26"	9.5 25"	10.5 24"
EXTREME SOLO (T)	6.9 29"	7.9 28"	9.0 27"	10.0 26"
EXTREME SOLO (S)	6.9 28"	7.9 27"	9.0 26"	10.0 25"
GENERATION 3.2	7.1 29"	8.4 28"	9.1 27"	10.2 26"
MIGHTY MITE	7.5 28"	8.3 27"	9.4 26"	end 25"
PATRIOT	8.0 28"	9.0 27"	10.0 26"	N/A
PRO 38 (T)	7.5 29"	8.5 28"	9.5 27"	end 26"
PRO 38 (S)	7.5 28"	8.5 27"	9.5 26"	end 25"
PRO 40 (T)	7.2 30"	8.3 29"	9.5 28"	end 27"
PRO 40 (S)	7.2 29"	8.3 28"	9.5 27"	end 26"
SAMSON (T)	6.5 29"	7.7 28"	8.9 27"	9.9 26"
SAMSON (S)	6.5 28"	7.7 27"	8.9 26"	9.9 25"
STALKER	6.9 30"	8.0 29"	9.0 28"	10.0 27"
TECH 29	7.1 27"	8.7 26"	9.5 25"	end 24"
TOMKAT	7.0 30"	8.3 29"	9.3 28"	10.1 27"

RECOMMENDED BOW MAINTENANCE

1. Use properly spined arrows for all Bowtech bows. The minimum arrow weight for this bow should be five grains per pound (IBO).
2. Replace the string and cables once a year or every 2500 shots, whichever comes first, to maintain optimum performance.
3. Examine your bow for wear and tear before you shoot (axles, bushings, cables, cable slide, e-clips and string). If any one of these items is showing excessive wear, contact your Authorized BowTech dealer to have them install new BowTech replacement parts. This will keep your bow shooting consistently without voiding your warranty.
4. When adjusting the bows draw weight, always keep the bow at even tiller on the top and bottom. If the top, for example, is 8 " tiller and the bottom is 8 " tiller that is even. If the top or bottom tiller is off by as little as 1/8-1/4", the bows performance may be affected.
5. When adjusting the bows draw weight, do not turn the limb bolts out more than 2 1/2 full turns. Each full revolution of the limb bolt equals about 3-5 lbs. Adjusting the weight of the bow will adversely affect the performance of the bow.
6. **WARNING:** Do not for any reason turn the limb bolts out more than the recommended amount. **Doing so could cause the limbs to come out of the pockets forcefully, resulting in bodily injury.**
7. Proper lubrication of the axles, bushings and limb pockets will limit wear and tear. Adding enough lubricant to these areas acts as a barrier between each working part and will optimize the performance of the bow. Note: Only industry standard lubricants should be used. **DO NOT USE WD 40.**
8. Inspect your cam position on a regular basis to make sure the factory setting is maintained. (See tuning section for your specific bow.) This will ensure the draw length and draw weight remain consistent.

TROUBLE SHOOTING

1. All BowTech bows use AMO draw (28 1/4" inches from the pivot point of the grip to the bottom of the valley) plus 1 3/4" inches as the standard for measuring draw lengths.
2. Always use a properly spined arrow for this bow with a minimum weight of five (5) grains per pound (IBO standard). Just because the total arrow weight is IBO legal does not necessarily mean that the arrow is properly spined. The arrow spine must be able to absorb the energy of the bow. The bow must be able to transfer the energy to the arrow without having any of the energy lost in the process. If the arrow is not properly spined the arrow will kick out, lose speed, and have poor arrow flight. If the arrow is properly spined you will achieve true, straight arrow flight with maximum speed. The arrow must be at least (5) grains per pound and have a stiff enough shaft to withstand the energy the bow will give it. Use an arrow chart to determine what shaft will be needed to fit the specifications of your bow.
3. Make sure the weight of the arrow tip is matched to the arrow's shaft strength. If the weight of the tip is either too light or too heavy, poor arrow flight will occur. Use your arrow chart to find out what tip weight is needed to match the arrow shaft.
4. The arrow nock should be 3/16" to 3/8" above the center of the T-square, depending on the shaft diameter. This is a good starting point to achieve proper arrow flight.
5. Make sure the bow is at even tiller. Tiller is an archer's term for the distances between the string and the point where the back of the limb joins the riser.
6. Make sure the cams are properly tuned as seen in the Tuning section of each bow in this Owners manual.
7. **Any accessories added to the Bowstring will cause the bow to lose speed. All speed tests are done only with factory specs.**
8. If you are in need of assistance with setting up, tuning or solving an arrow flight problem, contact your local authorized BowTech dealer for assistance.

2002 SPEED CHART

MODEL	BRACE	STRING	CABLE 1	CABLE 2	23
BLACKHAWK	9 1/8"	78 1/2"	31 3/16"		-
BK2 (S)	5 1/2"				-
BK2 (T)	6 1/2"				-
ES (S)	6"	90 5/8"	37 3/16"		-
ES (T)	7"	90 5/8"	37 3/16"		-
ESD (S)	6"	85 7/8"	35"		-
ESD (T)	7"	85 7/8"	35"		-
G3.2	7"	90 1/16"	39 5/8"	18"	-
MM	7 1/4"	84 3/16"	33 11/16"		-
PATRIOT	7 1/4"	88 5/8"	36 7/16"		-
PRO 38 (S)	6 1/16"	95 15/16"	39 5/8"		-
PRO 38 (T)	7 1/16"	95 15/16"	39 5/8"		-
PRO 40 (S)	6 3/4"	98 3/16"	41 1/4"		-
PRO 40 (T)	7 3/4"	98 3/16"	41 1/4"		-
RASCAL	7 1/2"	65 9/16"	26 11/16"		-
SAMSON (S)	5 5/8"	92 7/16"	38 1/16"		-
SAMSON (T)	6 5/8"	92 7/16"	38 1/16"		-
ST	7 3/4"	87 7/8"	35 1/2"		-
ST-LITE	7"	84 7/8"	35 1/2"		229-235
T-29	6 1/2"	80 7/8"	31 7/8"		-
TOMKAT	9 1/8"	82 9/16"	33 5/8"		-

2002 SPEED CHART

24	25	26	27	28	29	30	31	32
-	-	250-258	261-269	272-280	282-290	292-300	301-309	
-	-	298-306	310-317	320-328	331-339	342-350	-	-
-	-	-	298-306	310-317	320-328	331-339	342-350	-
-	274-282	283-291	294-302	302-310	311-319	325-333	-	-
-	-	274-281	283-291	294-302	302-310	311-319	325-333	-
-	265-272	275-282	284-291	294-302	304-312	314-322	-	-
-	-	265-273	275-283	284-292	294-303	304-312	314-322	-
-	-	270-277	279-287	290-298	300-308	312-320	322-330	-
-	264-272	275-283	286-294	297-305	307-315	316-324	-	-
-	265-273	274-282	285-293	295-303	304-311	312-320	-	-
-	272-280	280-288	290-298	300-308	311-319	322-330	-	-
-	-	272-280	280-288	290-298	300-308	310-318	322-330	-
-	-	265-272	277-285	288-296	298-307	310-318	322-330	-
-	-	-	265-273	277-286	288-297	300-308	311-320	322-331
-	256-262*	-	-	-	-	-	-	-
-	276-285	285-294	296-305	304-313	313-322	327-335	-	-
-	-	276-285	285-294	296-305	304-313	313-322	327-335	-
-	-	-	264-272	275-283	286-294	298-306	309-317	319-328
233-240	244-251	256-263	267-274	276-284	288-295	-	-	-
253-260	264-270	276-281	288-295	301-308	314-320	-	-	-
-	-	-	250-258	262-270	272-280	282-294	295-303	304-312

*Rascal speed rating based on 25" draw, 40# with a 200 grain arrow

2002 BowTech MOD SPECIFICATIONS

MODEL	ATA	BRACE	* MOD COMPATIBILITY
BLACKHAWK	28 1/2"	9 1/8"	DS / BT (1-6)
BK2 (S)	37 1/2"	5 1/2"	BKP (1-5)
BK2 (T)	37 1/2"	6 1/2"	BKP (1-5)
ES (S)	35"	6"	DS / BT (1-6)
ES (T)	35"	7"	DS / BT (1-6)
ESD (S)	32 1/2"	6"	DS / BT (1-6)
ESD (T)	32 1/2"	7"	DS / BT (1-6)
G3.2	37 3/8"	7"	DS / BT (1-6)
MM	31 1/2"	7 1/4"	DS / BT (1-6)
PATRIOT	33 3/4"	7 1/4"	DS / BT (1-6)
PRO 38 (S)	37 5/16"	6 1/16"	DS / BT (1-6)
PRO 38 (T)	37 5/16"	7 1/16"	DS / BT (1-6)
PRO 40 (S)	38 1/2"	6 3/4"	DS / BT (1-6)
PRO 40 (T)	38 1/2"	7 3/4"	DS / BT (1-6)
RASCAL	24 3/8"	7 1/2"	R (1-7)
SAMSON (S)	35"	5 5/8"	DS / BT (1-6)
SAMSON (T)	35"	6 5/8"	DS / BT (1-6)
ST	33 1/2"	7 3/4"	DS / BT (1-6)
ST-LITE	33 3/4"	7"	R (1-7)
T-29	29 1/2"	6 1/2"	DS / BT (1-6)
TOMKAT	31"	9 1/8"	DS / BT (1-6)

*BT / DS - mods make the same draw lengths-(DS mods are for the Infinity cam)

2002 BOWTECH MOD SPECIFICATIONS

19	20	21	22	23	24	25	26	27	28	29	30	31	32
							6	5	4	3	2	1	
							BKP5	BKP4	BKP3	BKP2	BKP1		
								BKP5	BKP4	BKP3	BKP2	BKP1	
						6	5	4	3	2	1		
							6	5	4	3	2	1	
					6	5	4	3	2	1			
						6	5	4	3	2	1		
							6	5	4	3	2	1	
						6	5	4	3	2	1		
							6	5	4	3	2	1	
						6	5	4	3	2	1		
							6	5	4	3	2	1	
							6	5	4	3	2	1	
								6	5	4	3	2	1
R7	R6	R5	R4	R3	R2	R1							
						6	5	4	3	2	1		
							6	5	4	3	2	1	
								6	5	4	3	2	1
			R7	R6	R5	R4	R3	R2	R1				
				6	5	4	3	2	1				
							6	5	4	3	2	1	

RASCAL WARNING!

**ADULT SUPERVISION REQUIRED
NOT RECOMMENDED FOR CHILDREN UNDER SEVEN (7) YEARS OF AGE
SEE PAGE 33 FOR ADDITIONAL SAFETY RULES**

SAFETY RULES

The Rascal Bow is designed as a safe and fun product. However, as with any shooting style product, certain safety rules must be observed. It is **HIGHLY** recommended that these rules be read before using the Rascal Bow.

ADULT SUPERVISION OF ALL CHILDREN UNDER THE AGE OF 18 IS REQUIRED. THE RASCAL BOW IS NOT RECOMMENDED FOR CHILDREN UNDER EIGHT (8) YEARS OF AGE.

Bows and arrows are **NOT** toys. For maximum safety and enjoyment, always exercise caution, common sense and safety rules when shooting the Rascal Bow.

Always use appropriate backstop for maximum safety. An appropriate backstop must be constructed of a durable material and must extend beyond the perimeter of the target.

Recommended backstop size is determined by the accuracy and ability of the shooter, i.e., the lower the level of accuracy, the larger perimeter required.

NEVER aim or draw the Rascal Bow in the direction of a person. Aim and draw **ONLY** in the direction of an appropriate target.

ALWAYS have a full view of the path to the target and beyond when shooting. **NOTE:** lead-off shots should be taken at closer ranges until the shooter is more accurate and comfortable at longer distances.

ALWAYS inspect arrow and fletching prior to shooting for imperfections such as cracks, splits or splinters. Damaged arrows must not be used and should be destroyed.

NEVER dry-fire (shoot without an arrow) the Rascal. Doing so could damage the bow and cause injury.

NEVER retrieve arrows or allow anyone else to do so until all arrows have been shot.

If you have any questions about the safety and use of the Rascal Bow, contact BowTech at (541) 895-8950.

WARNING!

DO NOT DRY-FIRE THE BOW

SAFETY RULES

1. Never draw the bow back with a release without having an arrow nocked. The release could fail and without having an arrow nocked it could cause you to dry-fire the bow.
2. Never draw the bow back without having the limb bolts properly adjusted (no more than 2 1/2 turns off peak weight) and the cables and string properly attached to the correct post and in the correct tracks to avoid possible injury.
3. Do not attach anything to the cables or string that could cause them to wear or become cut. This will void the Warranty.
4. Do not under any circumstances change a cam bushing yourself, as any resulting damage would void the Warranty. Always send the part back to BowTech for proper replacement.
5. Any alteration from the factory specifications or the adjustments outlined herein will void the factory Warranty.
6. Have ALL maintenance done at an authorized BowTech dealer or through the BowTech Factory Service Department.
7. Do not cross cables above cable rod. This will have an adverse effect on performance and shootability.

Disclaimer of Liability

By accepting a BowTech archery product, Buyer agrees to hold harmless BowTech and all associated parties from liability for any damage to persons or property which may result, for any reason, by use of this product.

SPEED

If you are truly feeling the need for speed, only one bow company is prepared to meet the challenge, and we aren't afraid to back it up. BowTech produces the fastest bows in the world and every bow is individually lab-tested, and carries a lifetime warranty.

BowTech, with its patented, revolutionary technology, is determined to fulfill the number one demand among archer's today: maximum speed to target with exceptional smoothness.

How do manufacturers rate speed:

IBO Speed Ratings are an Industry standard of measurement used by all manufacturers. Speed ratings are based on a bow with a draw weight of 70# and a Draw Length of 30" using a 5 grain per pound arrow (350 grain). Any deviation from these settings will cause a drop in arrow velocity. Note: The chart below is a general guide for the amount of speed lost when accessories are added to your string.

STRING ACCESSORY SPEED LOSS

<u>ITEM</u>	<u>SPEED LOSS</u>
Brass Nock	4-5 fps
Peep Sight	3-6 fps
String Silencers	4-8 fps
E-Buttons	2 fps each
Rubber Peep Tube	6-10 fps
String Loop*	1-3 fps

* String loop without brass nocks

Speeds will vary depending on placement and manufacturer of string added accessories.

Speed loss of arrows over IBO standard of 5 grains per pound (350 grains @ 70# draw weight):

Single Cam

Every 3 grains of added arrow weight results in 1 fps speed loss. Example: 30 grains over IBO would result in 10 fps speed loss.

Dual Cam

Every 2 grains of added arrow weight results in 1 fps speed loss.

LIFETIME WARRANTY

BowTech warrants its bows with a Lifetime Warranty to the original owner (except for the following exclusions). In short, if it breaks, we will fix it.

Exclusions

1. **Original Owner.** Warranty applies to the original owner only and is non-transferable.
2. **Components Not Covered.** Cables, strings, wheel bushings, bearings, paint and/or film dipped finishes are not included in warranty.
3. **Damage Not Covered.** Damage caused by abuse, mishandling, dry-firing, alteration or modification to original product, or shooting of arrows less than five grains per pound of draw weight may render the warranty void.
4. **Warranty Card.** For the Warranty to be in effect, the Warranty card must be completed and properly returned to BowTech – with a copy of the purchase receipt – within 30 days of purchase for Warranty to be in effect.
5. **Authorized Dealer.** The BowTech Warranty covers only bows bought from Authorized BowTech Dealers. Contact BowTech (888-689-1289) if you are unsure if the person you are buying from is an authorized dealer.

Turnaround Time

Our goal at BowTech with all warranty returns is to have the bow out the door, shipped back to you within 72 hours after receiving it in our facility. Our customers are our greatest assets and we will give you the highest quality, most efficient service in the industry.

Warranty Service

All products returned for warranty service should be returned to the dealer first for inspection and determination of any problem. Your sales representative or a customer service representative can help you determine if factory service is required or if your Pro Shop can repair the problem. The bow owner is responsible for the return freight to BowTech, and BowTech will in turn, pay for the return freight of the repaired product.

In the event that a bow must be returned for factory service, a Return Authorization (RA) number **must first be obtained** through your sales or customer service representative.

Bows returned to the factory without an RA number will be refused. All bows must include the following:

- A large, readable RA number on the outside of the box.
- A copy of the sales receipt if previously sold.
- Must be sent freight prepaid. No COD shipments will be accepted.
- Do not include accessories unless otherwise instructed. BowTech will not be responsible for loss or damage to any accessory left on the bow when shipped to BowTech.
- All methods of shipping by UPS or FED-EX only. Sender should insure all shipments.
- If your bow cannot be repaired, we reserve the right to replace your bow with a newer model.
- BowTech reserves the right to make parts substitutions on warranty coverage at BowTech's sole discretion and for any reason.