



REFUSE TO FOLLOW



OWNER'S MANUAL

Congratulations on your recent purchase! We at BOWTECH know that you have a choice when it comes to your archery equipment, and we want to thank you for choosing us as your hunting partner. Your feedback is important to us, as it is our desire to provide you with the absolute finest products and customer service in the industry. Please take the time to go online and register your new BOWTECH bow. It is equally important to read through this owner's manual as there are valuable tips to help keep your BOWTECH trouble free for many seasons.

We encourage you to contact and utilize your local dealer as they can assist you with purchases, services and accessories. To locate the dealer nearest you, visit BOWTECHarchery.com and click on the "Dealer Locator" button. Frequently asked questions and additional contact information can also be found at BOWTECHarchery.com.

BEFORE USING YOUR NEW BOWTECH BOW, READ AND UNDERSTAND THE FOLLOWING MATERIAL OUTLINED IN THIS MANUAL. FAILURE TO FOLLOW ANY OF THESE WARNINGS AND INSTRUCTIONS CAN DAMAGE THE BOW AND MAY CAUSE SERIOUS INJURY TO YOURSELF AND/OR OTHERS.

DISCLAIMER OF LIABILITY: By accepting a BOWTECH product, the buyer agrees to hold harmless BOWTECH and all associated parties from liability for any damage to persons or property, which may result, for any reason, from the use of this product.

QUALITY

Every BOWTECH bow has undergone a comprehensive quality control process and is built from the highest quality components available. Most have been

individually shot, tested and measured to ensure compliance with our strict performance standards.

LIFETIME WARRANTY

All BOWTECH bows come with a non-transferable lifetime warranty to the registered original owner. This warranty protects against any failures of the product due to defects in material or workmanship and does not include any damage due to abuse, misuse or modification to the bow's design. The following exclusions apply.

EXCLUSIONS

Cables and strings, bearings, paint and/or hydrographic film transferred finishes, accessories to include: sights, arrow rests, string silencers, quivers, or any other components included as part of an accessory package.

Damage caused by abuse, mishandling, dry-firing, alteration or modification to original product. Other excluded damages are those resulting from either loose mod screws or shooting arrows less than five grains per pound of draw weight. Damage caused by altered or damaged arrows and/or string dampening material, including original and aftermarket parts, is also excluded.

For the warranty to be enforceable the original purchaser must complete and submit the online registration form within 30 days of purchase.

AUTHORIZED DEALER

The BOWTECH Warranty covers product purchased from Authorized BOWTECH Dealers. Contact BOWTECH to confirm that your purchase is through an Authorized Dealer.

WARRANTY SERVICE

Our goal with all warranty returns is to have the bow shipped out the door and on its way back to your dealer within 3 business days of receiving it at our facilities in Eugene, Oregon. You are our greatest asset, and we will give you the highest quality and most efficient service possible.

All products requiring warranty service must be returned to an Authorized Dealer for inspection and diagnosis of any problem. Your BOWTECH dealer can determine whether factory service is required, or if the service needed can be performed at the dealer's facility. In the event that a bow must be returned for factory service, a Return Authorization (RA) number must first be obtained by your dealer. Bows returned to the factory without an RA number will not be accepted.

The bow owner is responsible for the return prepaid freight to BOWTECH. No COD shipments will be accepted. BOWTECH will perform the warranty service required and return the product to the dealer prepaid.

- All methods of shipping by UPS or FED-EX only. Sender should insure all shipments.
- If your bow cannot be repaired, we reserve the right to replace your bow with a newer model of equal or greater value.
- BOWTECH reserves the right to substitute any parts required for warranty coverage at its sole discretion and for any reason.

SETTING THE DRAW LENGTH

It is very important that your bow is adjusted to fit you properly. Assistance in achieving proper fit should be provided by your Authorized BOWTECH Dealer.

The draw length of all current BOWTECH bows can be adjusted without draw length specific modules. The Rotating Mod System makes this feature possible. By simply rotating the module clockwise or counterclockwise, your draw length can be adjusted in 1/2 inch increments.

FUEL™ BINARY™ CAM SYSTEM®

Refer to Figure 1 and Chart 1

1. Use a 7/64 hex wrench to remove the module screws that attach the modules to the cams.
2. Notice the module index number on the cam, and the numbers on the module. Repositioning the module so that a different number lines up with the index on the cam changes the bow's draw length. The lowest number corresponds to the longest draw

length setting.

3. To lengthen the draw length, rotate the module so that the module index points to a lower number. For example, if a Fuel was shipped from the factory with the module index pointing at the #2 at 29 inches of draw length, it would point at the #1 for a 30 inch draw length.

4. To shorten the draw length, rotate the module so that the module index points to a higher number. For example, if a Fuel was shipped from the factory with the module index pointing at the #2 at 29 inches of draw length, it would point at the #3 for a 28 inch draw length.

5. Replace the module screws on each cam and retighten. Place two mod screws as close to the ends of the mod as possible. Place the third mod screw halfway between the previous two. We recommend applying blue Loctite 242 to the threads before replacing them at your desired

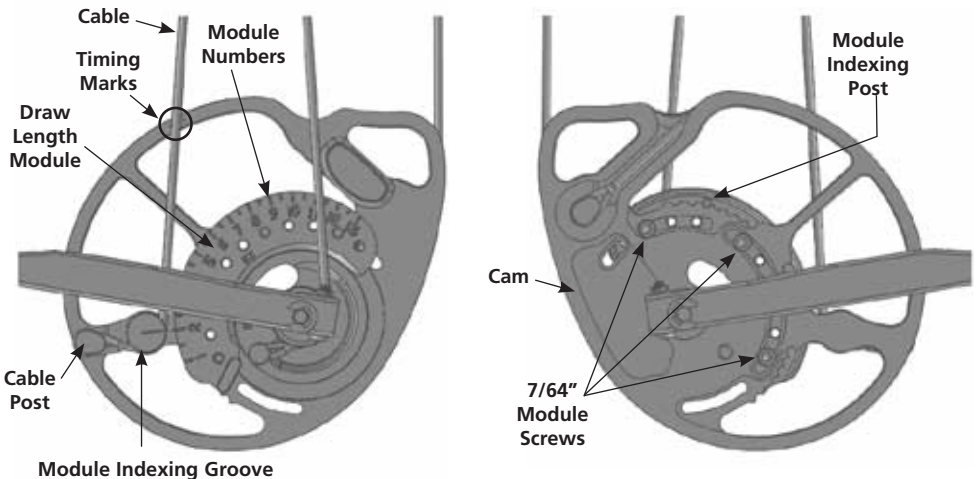


Figure 1: Draw Length Adjustment

SETTING THE DRAW LENGTH CONT.

setting. This will prevent the screws from loosening during normal use of the bow.

6. If the bow is put in a press, you will need to check that the limb button has not shifted. The limb button should be placed as low on the limb fork as possible. See your Authorized BOWTECH Dealer for assistance.

TIMING THE BOWTECH CAMS

There are small indentations or “timing

dots” on the module-side of the cam near its perimeter. When viewing the bow directly from the module side of the cam, the cable should be approximately centered in between the timing dots as shown in **Figure 1**. Adjusting the timing requires that the bow be put in a press, and as such, your Authorized BOWTECH Dealer should perform all timing adjustments.

SETTING THE DRAW WEIGHT

Draw weight on the Fuel is adjustable from 70 pounds downward to 14 pounds. **Chart 1** reflects the available draw weight settings. Please reference this table when setting up your bow. Draw weight can be adjusted by using a 3/16 inch hex wrench to either tighten or loosen the limb bolt. The draw weight should be adjusted equally on top and bottom limb bolt.

The limb bolt has been marked with increments to help you set up your bow. Each mark is reflective of approximately 9% of the bows original peak weight. Every bow configuration as seen in **Chart 1** has a slightly different result so therefore please consult your maximum and minimum draw weights available for each. This feature is also a useful tool in keeping the limb bolts equal on both the top and bottom of your bow when you are adjusting draw weight. As a safety precaution, the limb bolts should never be backed out beyond the limb bolt reference hole on the riser while the bow is being shot.

Please reference Figure 2.

1. Before adjusting limb bolts, note setting on limb bolt adjustment marks for future reference. (See **Figure 2**).
2. When adjusting the draw weight, turn down limb bolts in small, equal increments,

alternating from top limb bolt to lower limb bolt, never backing the limb bolt pasts reference hole (See **Figure 2**).

SERVICING THE BOW

To completely disassemble bow, back each limb bolt out evenly per turn. Each limb bolt may be backed out an additional 4-5 complete turns in order to relieve the string and cable tensions. **DO NOT draw bow back or shoot the bow when limb bolts are backed out past the limb bolt reference hole.**

3. Once limb bolt tip is visible, continue to turn out limb bolts, in same manner as above until 4 full revolutions are made on each end. It is recommended that each limb bolt is backed out evenly per each turn before proceeding to the next turn of the limb bolt. Please consult your Authorized BOWTECH Dealer before making this adjustment. Check string and cable tension. If slack, stopping point is achieved. If still under tension, turn each end an additional 1 revolution.

4. After cam/string adjustment is made, double check all string and cable post connections, as well as tracks to ensure they are seated properly (See Figure 3).

6. Once all double checks are made, reverse tension adjustment, as described above.

SETTING THE DRAW LENGTH CONT.

Chart 1: Module & Post Settings

MODULE NUMBER	DRAW LENGTH	TESTED PEAK WEIGHT (MAX SETTING)	TESTED WEIGHT (MIN SETTING)
1	30	70	31
1 1/2	29 1/2	70	30
2	29	70	28
2 1/2	28 1/2	70	27
3	28	70	26
3 1/2	27 1/2	70	25
4	27	69	25
4 1/2	26 1/2	69	24
5	26	69	24
5 1/2	25 1/2	68	23
6	25	68	23
6 1/2	24 1/2	67	22
7	24	66	22
7 1/2	23 1/2	66	21
8	23	65	20
8 1/2	22 1/2	64	20
9	22	63	19
9 1/2	21 1/2	61	19
10	21	60	18
10 1/2	20 1/2	59	17
11	20	57	16
11 1/2	19 1/2	55	16
12	19	54	15
12 1/2	18 1/2	54	14
13	18	54	14

SETTING THE DRAW WEIGHT CONT.

Again, make sure to tighten each limb bolt in small increments, alternating from top to bottom limb bolt, until reference point is achieved. **Make sure to keep hands clear of cams when tightening the limb bolts.**

WARNING: DO NOT TURN THE LIMB BOLTS OUT MORE THAN THE RECOMMENDED AMOUNT WHEN SHOOTING YOUR BOW. Doing so could result in bodily injury.

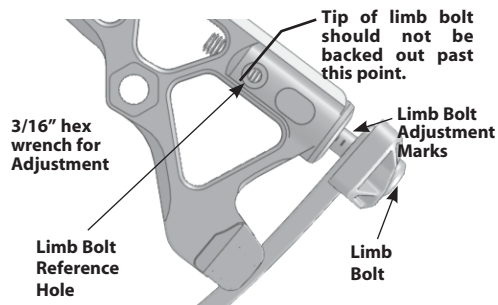


Figure 2. Draw Weight Adjustment

CORRECT CABLE ROUTING

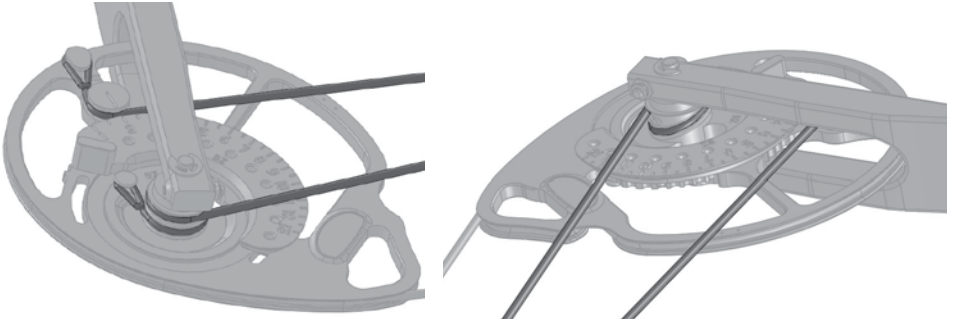


Figure 3. Correct Cable Routing

SETTING CENTER SHOT

Center shot should be set by measuring from the back of the riser to the arrow and then from the front of the riser to the arrow. Once this is equal, you are at the approximate center shot of your bow (see Figure 4). This is a good starting point when tuning your BOWTECH bow. Keep in mind, not all bows tune at exact center shot due to the variances in arrow spine, hand position, and your specific bow poundage. Adjust your arrow rest until the measurements between the arrow and riser are equal.

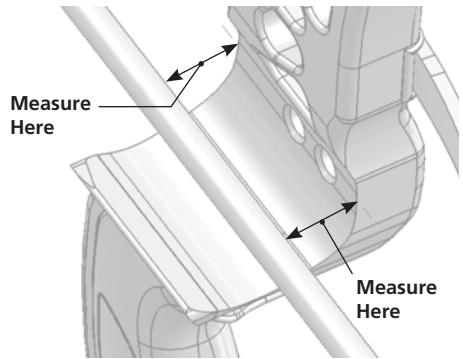


Figure 4: Determining Center Shot

BOW MAINTENANCE.

Your BOWTECH bow was made with the highest quality components to last for a lifetime of use in the field with proper maintenance. It is important that you NEVER draw and release a bow without an arrow on the string. This could not only hurt you, but can damage your bow. If the bow is dry fired at any time, take it to your local dealer for a complete inspection. Never leave your BOWTECH bow in an area of extreme temperatures. This could cause your string and cables to stretch which affects timing.

Before shooting your bow, always inspect the string and cables and check the limbs for any visible damage. If damage is found, take the bow to your local BOWTECH dealer for inspection or repair.

Your BOWTECH bow comes equipped with sealed bearings in both cams. There is no need to lubricate cams.

STRING & CABLES.

Your BOWTECH bowstring is manufactured to provide long string life and consistency, shot after shot. This results in greater accuracy and less time spent re-tuning your equipment.

It is recommended that you cycle the bow 10-20 times to settle the string as a result of relaxation during packaging and shipping.

Wax the string often. We recommend BCYML 6 synthetic string wax or an equivalent product. To wax the string, apply wax liberally to entire length of string. Rub briskly with fingers until the string appears slick. Remove all excess wax with a clean cloth. We recommend that you wax every other time you shoot your bow to lengthen the life of your string and cable sets.

If you need assistance with setting up, tuning or solving an arrow flight problem, contact your Authorized BOWTECH Dealer.

GENERAL INFORMATION

Your new BOWTECH bow is a highly tuned, precise shooting machine. It requires special care and handling to achieve and maintain peak performance. The string, cables and limbs are under extreme tension, which creates an incredible source of energy that must not be taken for granted. Please respect this power and use it properly.

BOWTECH bows are standardized to fit most manufacturers' accessories and will perform best when shot with a release.

ADULT SUPERVISION OF ALL CHILDREN UNDER THE AGE OF 18 IS REQUIRED BOWTECH has designed your bow to be a safe and fun product. However, as with any shooting style product, safety rules must be observed. It is HIGHLY recommended that these rules be read before using any bow.

Bows and arrows are NOT toys. For maximum safety and enjoyment, always exercise caution and common sense when shooting any bow.

WARNING:

NEVER DRY FIRE THE BOW

NEVER draw a bow without an arrow nocked. Doing so could cause personal injury and/or damage the bow. When drawing a bow for inspection or demonstration, never release the string at full draw to let down. Hold onto the string and do not let it slip out of your hands. Without the resistance of a properly weighted arrow to absorb the energy, you may damage the bow and cause personal injury to yourself and/or others.

ALWAYS wear safety glasses when operating or adjusting your bow.

ALWAYS use an appropriate backstop for maximum safety. An appropriate backstop must be constructed of a durable material and must extend beyond the perimeter of the target. The recommended backstop size is determined by the accuracy and ability of the shooter. With a low level of shooter accuracy, the backstop perimeter requirement must be increased appropriately.

NEVER aim or draw any bow in the direction of a person. Aim and draw ONLY in the direction of an appropriate target. ALWAYS have a full view of

GENERAL INFORMATION CONT.

the path to and beyond the target when shooting.

ALWAYS check all arrow components prior to shooting, including nock, insert and tip. Loose components can cause unbalanced arrow flight and partial dry firing of the bow. If an arrow has been damaged, or if you believe it has been damaged, do not shoot it again, as it could break on release, and sharp arrow pieces could strike and injure you or someone nearby.

NEVER retrieve arrows or allow anyone else to do so until all arrows have been shot.

NEVER draw the bow without properly adjusted limb bolts (see "Adjusting Draw Weight" section for more information). Make sure the string and

cables are properly attached to the correct post and in the correct tracks in order to avoid possible injury.

DO NOT attach anything to the cables or string that could create excessive wear or slice the string material. This will void the warranty.

DO NOT cross cables in any configuration other than the configuration set by the factory. This will have an adverse effect on the performance and shootability of your bow. Further, it may cause extreme wear to the string, cable, and cable-slide/roller guard.

Any alteration from the factory specifications or the adjustments outlined herein will void the factory warranty. ALL maintenance must be performed at an Authorized BOWTECH Dealer.

We encourage you to contact and utilize your local dealer as they can assist you with purchases, services and accessories. To locate the dealer nearest you, visit BOWTECHarchery.com and click on the "Dealer Locator" button. Frequently asked questions and additional contact information can also be found at BOWTECHarchery.com.

OWNER'S RECORD

Date of Purchase: _____ Purchase Price: _____

Bow Model & Year: _____

Serial Number: _____ Brace Height: _____

Draw Length: _____ Draw Weight: _____

IBO Speed Rating: _____ String Length: _____ Cable Length: _____

Dealer Purchased From: _____

Dealer's Address: _____

City: _____ State: _____ Zip: _____

Phone No: _____

E-mail Address: _____

Every effort has been made to ensure the accuracy of information and typographical content within our owner's manual. BOWTECH reserves the right to modify and/or discontinue products shown without notice and at its discretion. © 2014 BOWTECH. All rights reserved.

**SIGN UP FOR THE LIFETIME WARRANTY AT
REGISTRYOURBOW.COM**