



## THANK YOU

---

**Congratulations on your recent purchase!** We at Bowtech know that you have a choice when it comes to your archery equipment, and we want to thank you for choosing us as your hunting partner. Your feedback is important to us, as it is our desire to provide you with the absolute finest products and customer service in the industry. Please take the time to go online and register your new Bowtech bow. It is equally important to read through this owner's manual as there are valuable tips to help keep your Bowtech trouble free for many seasons.

We encourage you to contact and utilize your local dealer as they can assist you with purchases, services, and accessories. To locate the dealer nearest you, visit [Bowtecharchery.com](http://Bowtecharchery.com) and click on the "Dealer Locator" button. Frequently asked questions and additional contact information can also be found at [Bowtecharchery.com](http://Bowtecharchery.com).

### WARNING!

**BEFORE USING YOUR NEW BOW, READ AND UNDERSTAND THE FOLLOWING MATERIAL OUTLINED IN THIS MANUAL. FAILURE TO FOLLOW ANY OF THESE WARNINGS AND INSTRUCTIONS CAN DAMAGE THE BOW AND MAY CAUSE SERIOUS INJURY, OR DEATH, TO YOURSELF AND/OR OTHERS. ALWAYS WEAR SAFETY GLASSES WHEN OPERATING OR ADJUSTING YOUR BOW.**

**NEVER DRY FIRE THE BOW. A DRY FIRE IS WHEN YOU RELEASE THE BOWSTRING WITHOUT AN ARROW OR WITHOUT A PROPERLY SEATED ARROW. DOING SO MAY RESULT IN SERIOUS INJURY OR DEATH, OR DAMAGE TO THE BOW.**

### YOUR SAFETY RESPONSIBILITIES

---

Your new Bowtech bow is a highly tuned, precise shooting machine. It requires special care and handling to achieve and maintain peak performance. The string, cables and limbs are under extreme tension, which creates an incredible source of energy that must not be taken for granted. Please respect this power and use it properly.

Bowtech bows are standardized to fit most manufacturers' accessories and will perform best when shot with a release.

**ADULT SUPERVISION OF ALL CHILDREN UNDER THE AGE OF 18 IS REQUIRED.** Bowtech has designed your bow to be a safe and fun product. However, as with any shooting style product, safety rules must be observed. It is **HIGHLY** recommended that these rules be read before using any bow.

Bows and arrows are **NOT** toys. For maximum safety and enjoyment, always exercise caution and common sense when shooting any bow.

**ALWAYS** use an appropriate backstop for maximum safety. An appropriate backstop must be constructed of a durable material and must extend beyond the perimeter of the target. The recommended backstop size is determined by the accuracy and ability of the shooter. With a low level of shooter accuracy, the backstop perimeter requirement must be increased appropriately.

**ALWAYS** check all arrow components prior to shooting, including nock, insert and tip. Loose components can cause unbalanced arrow flight and partial dry firing of the bow. If an arrow has been damaged, or if you believe it has been damaged, do not shoot it again, as it could break on release, and sharp arrow pieces could strike and injure you or someone nearby.

**NEVER** touch the cams or cables. If the bow "locks up" or you are unable to pull back the bowstring, never touch the cams or cables. Bring the bow to an authorized dealer for inspection.

**ALWAYS** wear safety glasses when handling/shooting the bow.

**Any alteration from the factory specifications or the adjustments outlined herein will void the factory warranty. ALL maintenance must be performed at an Authorized Bowtech Dealer.**

**NEVER** retrieve arrows or allow anyone else to do so until all arrows have been shot.

**NEVER** draw the bow without properly adjusted limb bolts (see "Adjusting Draw Weight" section for more information). Make sure the string and cables are properly attached to the correct post and in the correct tracks in order to avoid possible injury.

**DO NOT** attach anything to the cables or string that could create excessive wear or slice the string material. This will void the warranty.

**DO NOT** cross cables in any configuration other than the configuration set by the factory. This will have an adverse effect on the performance and shootability of your bow. Further, it may cause extreme wear to the string, cable, and cable-slide/roller guard.

**ALWAYS** inspect your bow before each use. Before you handle or shoot your bow, inspect the condition of the entire bow and all components (including strings, cables, spacers, limbs, and nocks), and accessories to ensure they are in good and proper working condition. If anything looks damaged or there are any concerns, do not use the bow and take it to be inspected by an authorized dealer.

**NEVER** draw or shoot a bow with damaged, frayed, or worn string or cables because they could break causing serious injury or death.

**UNDERSTAND PROPER BOW USE.** Before you handle or shoot your bow, it is recommended that you be trained in proper and safe use by a certified archery coach or instructor. There are local and national sources for this information, including local dealers. Online sources for certified coaches or instructional programs include USA Archery (<https://www.usarchery.org/coaches/find-a-coach>) and the Archery Trade Association ([www.archery360.com](http://www.archery360.com)).

## TUNING AND PROPER FIT

It is very important that your bow is adjusted to fit you properly. Assistance in achieving proper fit should be provided by your Authorized Bowtech Dealer. The draw length of all current Bowtech bows can be adjusted without draw length specific modules. The Rotating Mod System makes this feature possible. By simply rotating the module clockwise or counterclockwise, your draw length can be adjusted in 1/2 inch increments. Your Bowtech Reckoning Gen2 series bow comes equipped with the FlipDisc Pro rotating module system.

## CHANGING DRAW LENGTH

### Refer to Figures 1 & 2 and Charts 1 - 3

1. You may need to press your bow, in some settings, to adjust the draw length on bows with the DeadLock Cam System. Bowtech recommends that you only use a limb tip press to service your bow and that you take your bow to your Authorized Bowtech Dealer for adjustment of your bow's draw length.
2. Once the bow is in the press and the tension on the string and cables has been relieved, use a 7/64 inch hex wrench to remove the FlipDisc screws that attach the FlipDisc Pro modules to the cams.
3. Notice the numbers on the cam and the reference hole on the FlipDisc Pro module (Figure 1). The numbered marks corresponds to the draw length setting.
4. To adjust the draw length, rotate the FlipDisc Pro module so that the reference hole on the module lines up with the desired draw length setting hole on the cam.
5. Identify the two short module screw slots on the cam. In each draw length setting, when the reference hole on the module lines up with the desired draw length setting hole on the cam, one module screw hole will be accessible through one of the two short slots. Fasten one module screw into the threaded hole that is accessible through the appropriate short slot as shown in Figure 1.
6. Replace the remaining module screws on each cam and retighten. We recommend applying blue Loctite 242 to the threads before replacing them at your desired setting. This will prevent the screws from loosening during normal use of the bow.
7. Ensure all strings and cables are in their appropriate grooves and remove the bow from the press.

8. After repositioning the FlipDisc Pro module, you will need to reposition the draw stop post. To do this, use a 7/64 inch hex wrench to remove the post from its current position.
9. Move the post to the position that matches the numbered hole that you placed the FlipDisc Pro reference hole in. For example, if the FlipDisc Pro module was placed in the 30" position, the draw stop post should also be placed in the 30" position.
10. Note that the Reckoning Gen2 Series bows come equipped with a 2-sided draw stop. Once the draw stop is set to the correct position corresponding to your desired draw length setting, note that there are hash marks on the module side of the cam. For a "softer wall" feel, rotate the draw stop such that the round side of the draw stop is tangent to the corresponding hashmark and the flat side of the draw stop is approximately parallel to the hashmark as shown in Figure 2. For a "harder wall" feel, rotate the draw stop such that the flat side of the draw stop is aligned with the hashmark.

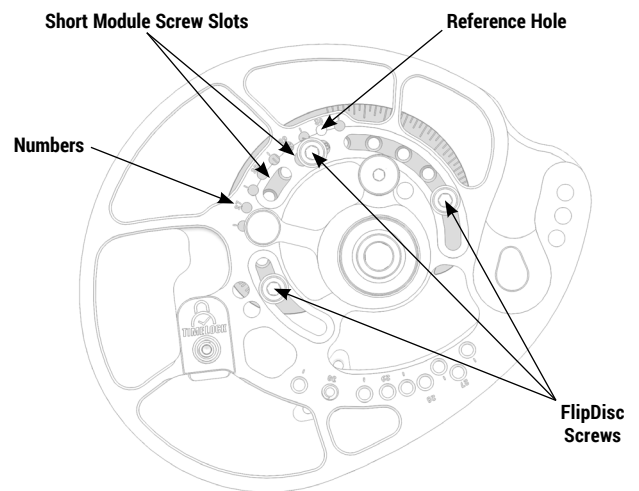


Figure 1: Reckoning Gen2 Series FlipDisc Settings

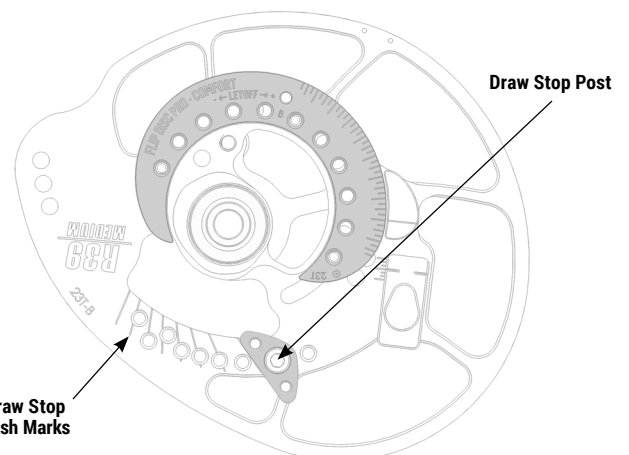


Figure 2: Draw Stop Post Settings

Reckoning Gen2 39			Reckoning Gen2 36			Reckoning Gen2 SD	
FlipDisc Position	Draw Length (Med)	Draw Length (Long)	FlipDisc Position	Draw Length (Med)	Draw Length (Long)	FlipDisc Position	Draw Length
33.5	N/A	33.5	32.5	N/A	32.5	26.5	26.5
33	N/A	33	32	N/A	32	26	26
32.5	N/A	32.5	31.5	N/A	31.5	25.5	25.5
32	N/A	32	31	N/A	31	25	25
31.5	N/A	31.5	30.5	N/A	30.5	24.5	24.5
31	N/A	31	30	N/A	30	24	24
30.5	30.5	30.5	29.5	29.5	29.5	23.5	23.5
30	30	30	29	29	29	23	23
29.5	29.5	29.5	28.5	28.5	28.5		
29	29	N/A	28	28	N/A		
28.5	28.5	N/A	27.5	27.5	N/A		
28	28	N/A	27	27	N/A		
27.5	27.5	N/A	26.5	26.5	N/A		
27	27	N/A	26	26	N/A		
26.5	26.5	N/A	25.5	25.5	N/A		

Charts 1-3: Reckoning Gen2 FlipDisc & Draw Length Settings

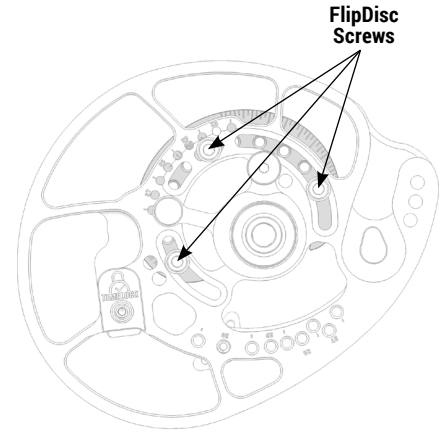
## ADJUSTING THE FLIPDISC™

### Refer to Figure 3

Your new Bowtech bow features FlipDisc™ Technology. You can easily adjust the FlipDisc to your desired setting by following these simple instructions.

1. Bowtech recommends that you finalize all draw length adjustments prior to adjusting the FlipDisc setting. Use a hex wrench to remove all FlipDisc screws completely.
2. Flip the disc to your desired side. One side of your FlipDisc is labeled "Performance" and the other is labeled "Comfort". To utilize the Performance setting, set the FlipDisc so that the word "Performance" is visible. To utilize the Comfort setting, flip the FlipDisc so the word "Comfort" is visible.
3. Replace the FlipDisc screws with the FlipDisc in the desired draw length position and secure.
4. It is recommended that all FlipDisc screws are torqued between 22 and 25 in-lbs in conjunction with Blue Loctite 242 once the desired setting has been determined. Ensure that both Discs are set to the same setting before drawing your bow.

**Caution - Bowtech strongly recommends the use of blue removable Loctite on all FlipDisc screws on cams featuring PowerShift™ Technology.**



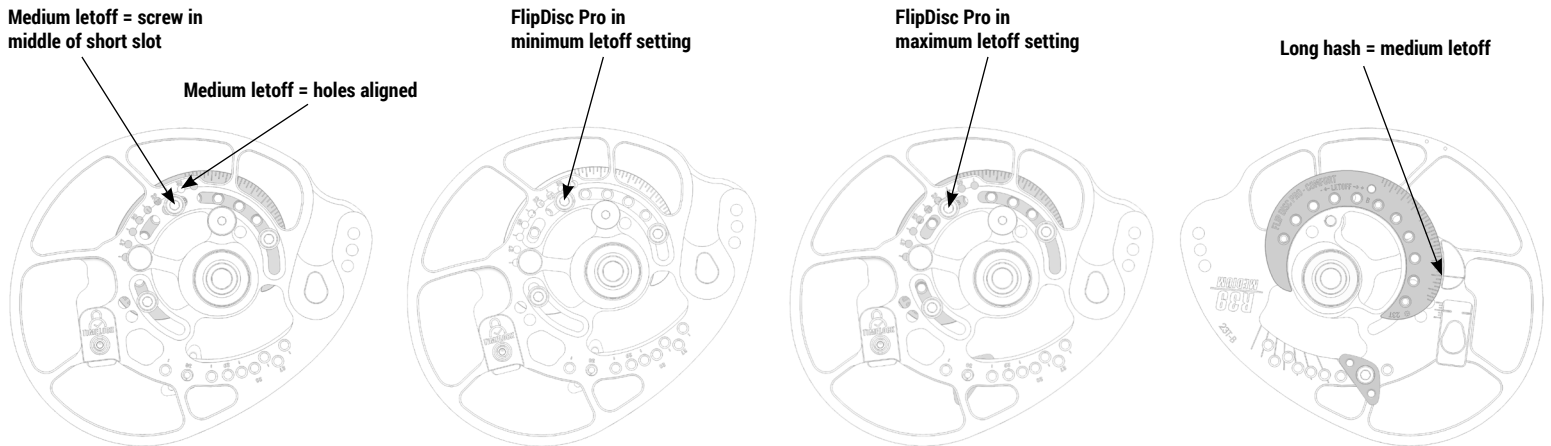
**Figure 3: FlipDisc Adjustment**

## ADJUSTING LETOFF WITH THE FLIPDISC PRO

Your new Bowtech bow equipped with FlipDisc Pro allows you to finely tune your holding weight to achieve maximum accuracy. You can easily adjust the letoff of your bow by following these instructions:

1. Bowtech recommends that you finalize all draw length adjustments prior to adjusting the letoff setting. Use a hex wrench to loosen all module screws.
2. Notice the graduated hashmarks on the FlipDisc Pro module. The long hashmarks represent a "medium" letoff setting. Also note the marking on the FlipDisc Pro module that says "letoff" with a plus and a minus sign. To increase the letoff of your bow, rotate the FlipDisc Pro module in the direction of the plus sign. To decrease the letoff of your bow, rotate the FlipDisc Pro module in the direction of the minus sign.
3. Use the hashmarks on the FlipDisc Pro module to finely adjust the letoff of your bow. Be sure to adjust the top and bottom modules equally.
4. Re-tighten all module screws. It is recommended that all FlipDisc screws are torqued between 22 and 25 in-lbs in conjunction with Blue Loctite 242 once the desired setting has been determined.

**Caution - Do not remove the module screw that is fastened in one of the two short module screw slots in the cam while adjusting letoff with FlipDisc Pro.**



**Figure 4: Letoff Adjustment with FlipDisc Pro**

## ADJUSTING THE STRING POSITION WITH THE DEADLOCK CAMS

Your new Reckoning Gen 2 features the DeadLock Cam System with the unique ability to fine tune the string path quickly and easily for optimal accuracy. With any adjustments to your Bowtech bow, it is highly recommended you visit your local dealer. Fine tuning of the string path can be accomplished by utilizing the DeadLock Cam System Tuning Screw.

### To adjust the DeadLock cam system (see Figure 5):

1. Loosen by the Tuning lock screw to the left (counterclockwise) using a 3/32 allen wrench.
2. To move the cam to the left, turn the Tuning Screw to the right (clockwise) using the same 3/32 allen wrench.
3. To move the cam to the right, move the Tuning Screw to the left (counterclockwise).
4. Once the desired position is set, lock the DeadLock Cam system by turning and hand tightening the Tuning lock screw to the right.

### To reset the cams to zero:

1. Loosen by the Tuning lock screw to the left using a 3/32 allen wrench.
2. Turn the Tuning Screw to the left (counterclockwise) until the cam stops on the right side.
3. Turn the Tuning Screw two full rotations to the right (clockwise). This will set your cams at zero and assure they are lined up on the axes.
4. Repeat this step for both top and bottom. Ensure both the top and bottom cams are moved equally when making adjustments.

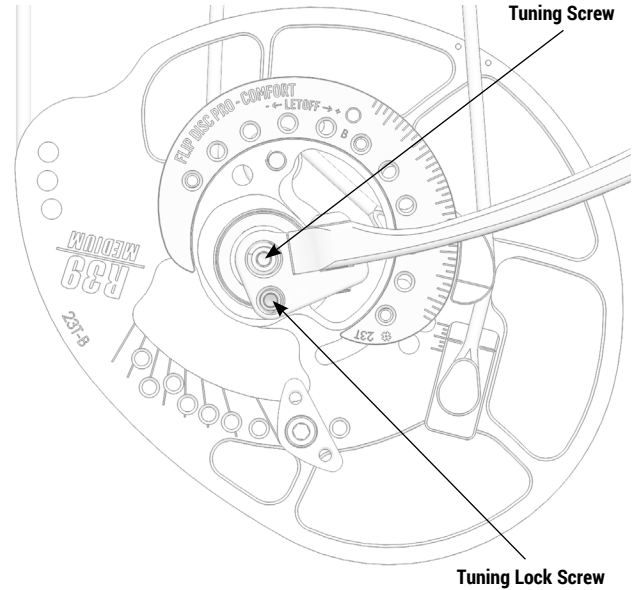


Figure 5: DeadLock Adjustment

## ADJUSTING CAM TIMING WITH TIMELOCK™

There are small indentations or "timing dots" on the side of the cam near its perimeter. When viewing the bow directly from the side of the cam, the cable should be approximately centered in between the timing dots as shown in Figure 6.

The Bowtech Reckoning Gen 2 36 and 39 bows come equipped with TimeLock technology. TimeLock allows you to fine tune the timing of your cams without the need for a bow press by following the below instructions.

1. Use the included 5/64 inch hex key to loosen the TimeLock lock screw 1/2 twist.
2. Use the 5/64 inch hex key to turn the TimeLock adjustment screw. Doing so will slightly change the orientation of the cam. Continue to adjust the TimeLock adjustment screw until the desired cam position is achieved (see Figure 6). **NOTE:** The hashmarks on the cam next to the TimeLock anchor post may aid in adjustment. Each hashmark equates to approximately 1 full twist in/out of the corresponding cable.
3. Re-tighten the TimeLock lock screw. **CAUTION:** Do not overtighten the TimeLock lock screw. Do not adjust the TimeLock anchor post outside of the range of the hashmarks on the cam. If more adjustment is needed, the bow will need to be timed with the use of a bow press. In this case, seek the help of your Authorized Bowtech Dealer.

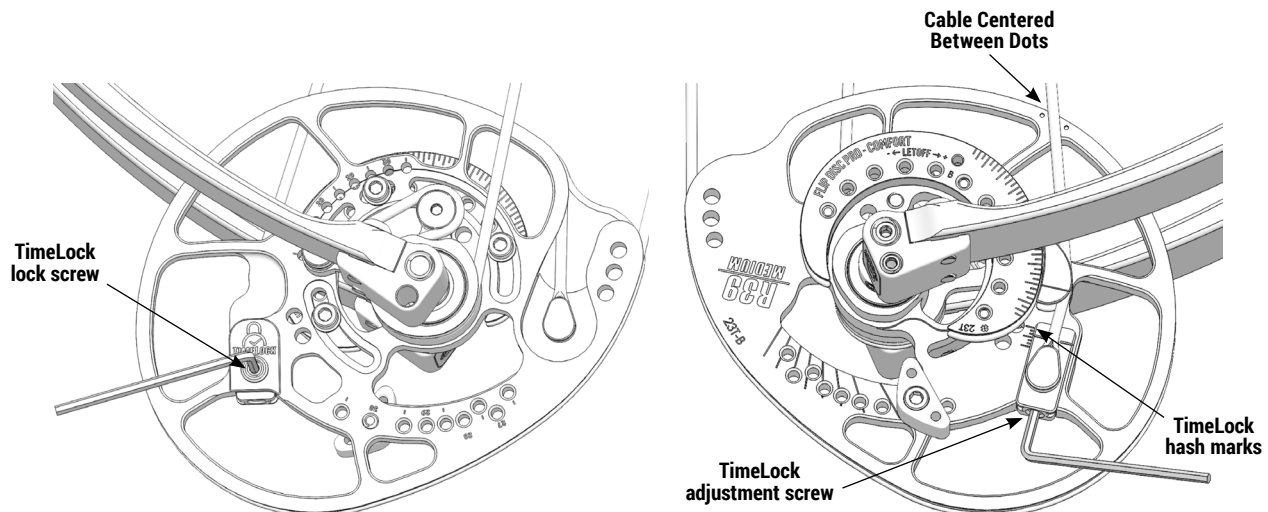
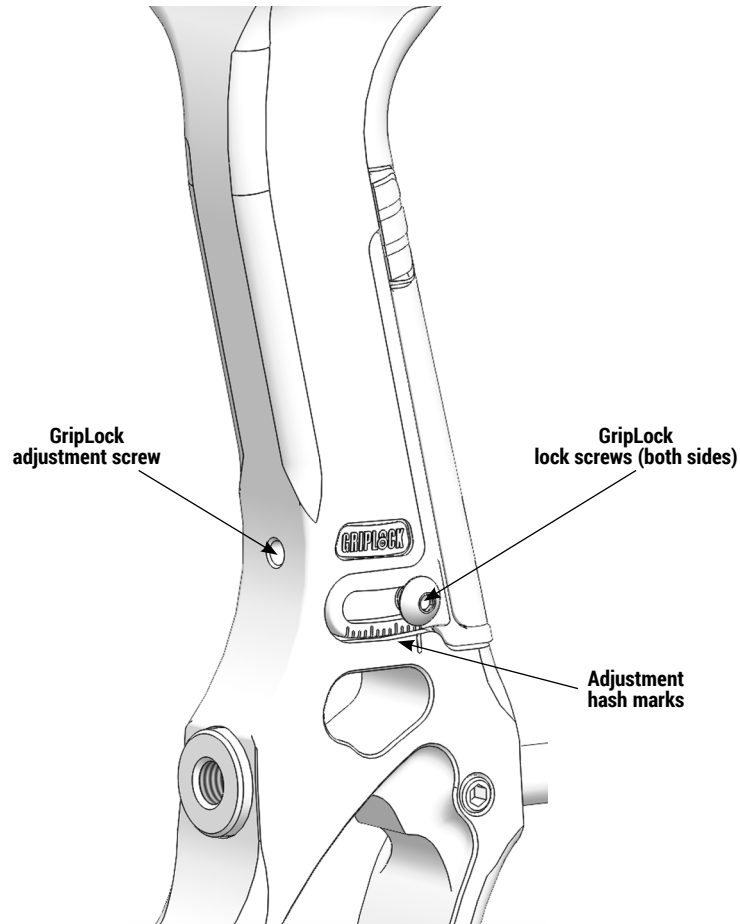


Figure 6: TimeLock Adjustment

## ADJUSTING THE GRIP WITH GRIPLOCK™

Your new Bowtech Reckoning Gen 2 series bow features GripLock technology. You can easily adjust the angle of the grip to your desired setting by following these simple steps.

1. Use a 3/32 inch hex wrench to loosen the 2 GripLock lock screws on either side of the grip.
2. Use a 3/32 inch hex wrench to adjust the GripLock adjustment screw to drive the angle of the grip up or down.
3. Apply gentle pressure to the grip to ensure the pivoting GripLock grip is fully seated against the adjustment screw.
4. Note the adjustment hashmarks as shown in Figure 7. Each graduation corresponds to approximately 1 degree. This can be used to fine tune the angle of your GripLock grip.
5. Re-tighten the 2 GripLock lock screws on either side of the riser



**Figure 7: GripLock Adjustment**

## SETTING THE DRAW WEIGHT

Consult your local Authorized Bowtech Dealer for information regarding weight adjustment for your bow model. All bows perform best at peak weight. Draw weight can be adjusted by using a hex wrench to either tighten or loosen the limb bolt. The specific method for adjusting draw length varies by model as described below.

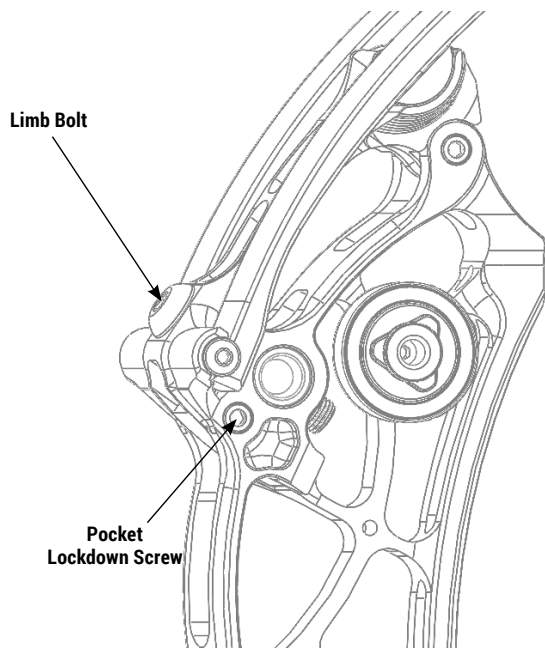
**WARNING:** DO NOT TURN THE LIMB BOLTS OUT MORE THAN THE RECOMMENDED AMOUNT.

Doing so could cause the limbs to break out of their pockets and result in bodily injury.

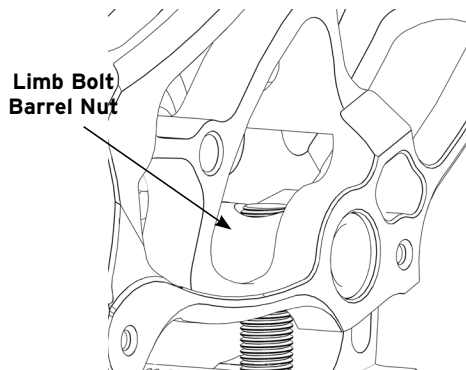
Draw weight on the Reckoning Gen 2 can be adjusted 10 pounds down from the bow's peak draw weight. For example, if the bow is shipped as a 60 pound model, the draw weight can be adjusted down to 50 pounds. The procedure is as follows (see Figure 8).

Loosen the Pocket Lockdown Screw, using a 5/32 inch hex wrench. Using a 7/32 inch hex wrench tighten or loosen the limb bolt to increase or decrease draw weight (see Figure 8a). One full turn equals approximately 1 pound. DO NOT back out the limb bolt beyond flush with the limb bolt barrel nut as seen in Figure 8b. The top and bottom limb bolts should be tightened and loosened equally. Re-tighten the Pocket Lockdown Screw with the 5/32 inch hex wrench.

**Figure 8: Draw Weight Adjustment**

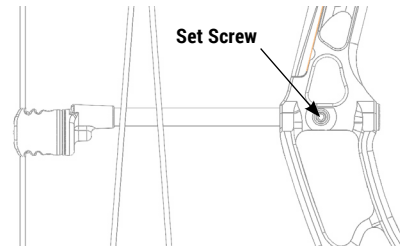


**Figure 8a**



**Figure 8b**

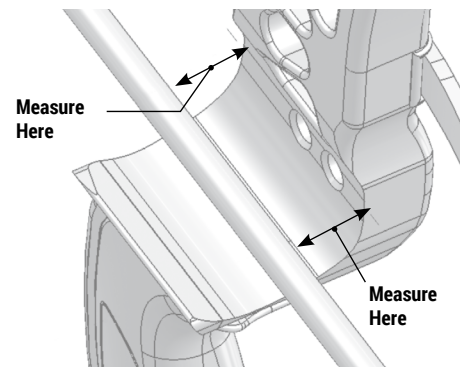
## ADJUSTING THE STRING STOP



**Figure 9: Adjusting the string stop**

To increase the effectiveness of your string stop dampener you want it to maintain contact with the string at rest. If you have backed down the draw weight to set your draw to your comfort level you may need to adjust your string stop as your brace height may have increased. To do this, loosen the side set screw on the riser as shown (Figure 9) with a 1/8 hex wrench. Pull out the string stop until it makes contact again with the string. Verify that the string stop is oriented correctly and retighten the side set screw.

## SETTING CENTER SHOT



**Figure 10: Determining Center Shot**

Center shot can be set by measuring from the back of the riser to the arrow and then from the front of the riser to the arrow. Once this is equal, you are at the approximate center shot of your bow (see Figure 10). This is a good starting point when tuning your Bowtech bow. Keep in mind, not all bows tune at exact center shot due to the variances in arrow spine, hand position, and your specific bow poundage. Adjust your arrow rest until the two measurements are equal.

## BOW MAINTENANCE

---

Your Bowtech bow was made with the highest quality components to last for a lifetime of use in the field with proper maintenance. It is important that you **NEVER** draw and release a bow without an arrow on the string. This could not only hurt you, but can damage your bow. If the bow is dry fired at any time, take it to your local dealer for a complete inspection. **NEVER** leave your Bowtech bow in an area of extreme temperatures. This could cause your string and cables to stretch, which effects timing.

Before shooting your bow, **ALWAYS** inspect the string and cables and check the limbs for any visible damage. If damage is found, take the bow to your local Bowtech dealer for inspection or repair.

Your Bowtech bow comes equipped with sealed bearings in both cams. There is no need to lubricate cams.

## LIMITED LIFETIME WARRANTY

---

Sign up for the limited lifetime warranty at:

**REGISTRYOURBOW.COM**

**For the warranty to be enforceable the original purchaser must complete and submit the online registration form within 30 days of purchase.**

All Bowtech bows come with a non-transferable limited lifetime warranty to the registered original owner against defects in material or workmanship, that occur under normal use. This limited warranty does not include any damage due to abuse, misuse or modification to the bow's design. This limited warranty extends only to the first purchaser, and is subject to the following terms, conditions, and limitations.

## WARRANTY SERVICE

Since you are our greatest asset, we want to give you the highest quality and most efficient service possible. There are two ways you can request warranty repairs for your Bowtech products.

Option 1: Contact our Customer Service Team at 888-689-1289 to work directly with a representative that will help you determine the best way to repair your product.

Option 2: Contact your nearest authorized dealer for your warranty repair. They will facilitate the inspection and diagnosis of any problem.

In the event that a bow must be returned for factory service, a Return Merchandise Authorization (RMA) number must first be obtained for your return product. Bows returned to the factory without an RMA number will not be accepted. Bowtech will not be held responsible for any lost product without proper documentation of an RMA number.

The bow owner is responsible for the return prepaid freight to Bowtech. No COD shipment will be accepted. Bowtech will perform the warranty service required and return the product to the dealer prepaid.

- All methods of shipping by UPS or FED-EX only. Sender should insure all shipments.
- If your bow can't be repaired, we reserve the right to replace the it with a newer model of greater or current market value.
- Bowtech reserves the right to substitute any parts required for warranty coverage at its sole discretion.

## EXCLUSIONS

Cables and strings, bearings, paint, hydrographic film and/or other transferred finishes, accessories to include: sights, arrow rests, string silencers, quivers, or any other components included as part of an accessory package.

Damage caused by abuse, mishandling, dry-firing, alteration or modification to original product. Other excluded damages are those resulting from either loose mod screws or shooting arrows less than five grains per pound of draw weight. Damage caused by altered or damaged arrows and/or string dampening material, including original and aftermarket parts, is also excluded.

## STRINGS & CABLES

---

Your Bowtech bowstring is manufactured to provide long string life and absolute consistency, shot after shot. This results in greater accuracy and less time spent re-tuning your equipment.

It is recommended that you cycle the bow 10-20 times to settle the string as a result of relaxation during packaging and shipping.

**Wax the string often.** We recommend BCYML 6 synthetic string wax or an equivalent product. To wax the string, apply wax liberally to entire length of string. Rub briskly with fingers until the string appears slick. Remove all excess wax with a clean cloth. We recommend that you wax every other time you shoot your bow to lengthen the life of your string and cable sets.

## LIMITED WARRANTY DISCLAIMER AND LIMITATIONS OF LIABILITY

---

This limited warranty is the sole warranty made by Bowtech and, to the extent permitted by law, Bowtech makes no other warranties, express or implied.

**TO THE EXTENT PERMITTED BY LAW, BOWTECH EXPRESSLY DISCLAIMS ALL STATUTORY AND IMPLIED WARRANTIES, INCLUDING, WITHOUT LIMITATION, THE WARRANTY OF MERCHANTABILITY AND THE WARRANTY OF FITNESS FOR A PARTICULAR PURPOSE.**

If such implied warranties cannot be disclaimed under the law, Bowtech limits the duration and remedies of such warranties to the duration and remedies set forth in this limited warranty.

It is agreed that Bowtech shall not be liable for incidental, consequential, indirect, special, exemplary, or punitive damages arising out of or relating to this product or the terms of this limited warranty, regardless of a failure of any remedy of its essential purpose. To the extent permitted by law, the exclusive remedy against Bowtech for any and all claims, losses, injuries, or damages arising out of or related to this product or the terms of this warranty shall not exceed the price paid for the bow. You have 12 months from the accrual of the cause of action to commence any legal action arising from the purchase or use of your bow.

**DISCLAIMER OF LIABILITY:** By accepting a Bowtech product, the buyer agrees to hold harmless Bowtech and all associated parties from liability for any damage to persons or property, which may result, for any reason, from the use of

To the extent any provision of this limited warranty is found to contravene the law of any jurisdiction, the remainder of the warranty shall not be affected thereby.

***We encourage you to contact and utilize your local dealer as they can assist you with setting up your bow, tuning, purchases, services and accessories. To locate the dealer nearest you, visit [Bowtecharchery.com](http://Bowtecharchery.com) and click on the "Dealer Locator" button. Frequently asked questions and additional contact information can also be found at [Bowtecharchery.com](http://Bowtecharchery.com).***